

4K UHD Receiver/Decoder

Impulse 400D



Impulse 400D is a powerful and cost-effective 4K UHD receiver decoder/gateway that supports MPEG-2/H.264/H.265/AVS+/AVS2 UHD/HD/SD video decoding and major audio decoding.

With ample tuner input options and multiple input/output interfaces, it can achieve the RF signal reception, program descrambling, multiplexing, downscaling and decoding output.

With IP-based stream processing and management interfaces, it is ideal to support advanced content distribution, 4K decoding, content remultiplexing, digital signal turnaround and transmission via an all-IP-headend system.

Key Features

- Receiving
 - Supports ASI and TS-IP inputs
 - Support for internet delivery protocols (HLS, and SRT)
 - Multiple tuner options to support DVB-S2X/S2/S/T2/T/C, 8VSB and ISDB-T
 - Supports redundant backup between any two input sources
 - Supports Genlock signal input
 - Supports T2-MI transport stream decapsulation (optional)
- Data Processing
 - Two independent common interfaces support multi-channel descrambling, making the unit compliant with various popular CAM modules
 - Embedded BISS-1 & BISS-E supports TS & Service level descrambling
 - PSI/SI/PSIP processing and regeneration
 - Supports TS & Service multiplexing and demultiplexing
 - Supports TS & EIT pass-through
- Output
 - MPEG-2/H.264/H.265/AVS+/AVS2 UHD/HD/SD video decoding
 - HDMI2.0, 3G-SDI output
 - SDI output with 2 embedded audios
 - Up to 2 pairs of balanced analogue audio and 2 pairs of unbalanced AES/EBU audio output via DB15 connector
 - Up to 2 pairs of unbalanced analog audio output via BNC connector
 - Multicast and unicast broadcasting in LAN and WAN network via two GbE ports
 - GPI alarm output
 - Two TS over IP output ports
 - Two ASI output ports
- Management
 - 1 Ethernet 10/100Base-TX, RJ45
 - Web-based user interface
 - Front panel LCD screen and press buttons

4K UHD Receiver/Decoder

Impulse 400D



SPECIFICATIONS

RF

DVB-S/S2/S2X Input

Input	2 x RF (F-type), 75Ω
Constellation	QPSK, 8PSK, 16APSK, 32APSK, 64APSK
Symbol Rate	1~45 MSps
Input Frequency	950~2150 MHz
Max Bit-rate	150Mbps
Signal Level	-65~-25 dBm
LNB Power	DC 13/18V@350mA
Control Tone	22K on/off
Roll-off Factors	0.35, 0.25, 0.20, 0.15, 0.10, 0.05

DVB-C Input

Input	2x RF (F-type), 75Ω
Symbol Rate	1~6.952 MBauds
QAM Type	J.83 A/B/C
Input Frequency Range	48-862 MHz
MaxBit-rate	55Mbps
Signal Level	40-100dBuV (64QAM) 44-100dBuV (256QAM)

8VSB Input

Input	1x RF (F-type), 75Ω
Bandwidth	6MHz
InputFrequency Range	57 -803 MHz (fixed frequency)
Signal Level	-83~-8dBm
Channel Plans	Broadcast
Max Bit-rate	19.39 Mbps

DVB-T Input

Input	2x RF (F-type), 75Ω
Constellation	QPSK/16QAM/64QAM
Bandwidth	6/7/8M
Input Frequency Range	48~862 MHz
Max Bit-rate	31.67Mbps
Signal Level	-65~-25dBm
Transmission Mode	2K, 8K
FEC Mode	1/2, 2/3, 3/4, 5/6, 7/8
Guard Interval	1/4, 1/8, 1/16, 1/32

RF

DVB-T2 Input

Input	2x RF (F-type), 75Ω
Constellation	QPSK/16QAM/64QAM/256QAM
Bandwidth	6MHz, 7MHz, 8MHz
Input Frequency Range	48~862 MHz
Max Bit-rate	50.1Mbps
Transmission Mode	1K, 2K, 4K, 8K, 16K, 32K
FEC Mode	1/2, 3/5, 2/3, 3/4, 4/5, 5/6
Guard Interval	1/4, 1/8, 1/16, 1/32, 1/128, 19/256, 19/128

ISDB-T/Tb Input

Input	2x RF (F-type), 75Ω
Constellation	QPSK/16QAM/64QAM
Bandwidth	6MHz
Input Frequency Range	48~862 MHz
Max Bit-rate	23.42Mbps
Signal Level	-65~-10 dBm
Carriers Mode	2K/4K/8K
FEC Mode	1/2, 2/3, 3/4, 5/6, 7/8
Guard Interval	1/4, 1/8, 1/16, 1/32

TS/IP

GbE IP

Interface	2x GbE RJ-45 Ethernet Ports
Package Format	UDP, RTP, SRT, HLS
Traffic Type	Multicast and Unicast
TCP/IP Protocol	IPv4
IGMP	Version 1, 2 & 3
TS Bitrate	UDP/RTP: up to 150 Mbps HLS: up to 20Mbps SRT: up to 30Mbps

4K UHD Receiver/Decoder

Impulse 400D



SPECIFICATIONS

DVB De-scrambling

DVB Common Interface	2 slots
Bit-rate	Max. 150Mbps (Depend on processing capability of CAM module)
CAM Supported	NEOTION, SMIT, ASTON and other major CAMs
CAS Supported	CONAX, IRDETO, Novel-SuperTV, CTI and other major CAS
BISS-1& BISS-E	Program level, Decoded Service only TS level
Number of Services	Limited by CAM

Decoder

Interface

Genlock Input	1xBNC, Black Burst/Tri-level sync
SD/HD/3G-SDI Output	2xBNC, 75Ω
Digital Output	1xHDMI 2.0 connector
Analog Audio Outputs	4xBNC,75Ω unbalanced 2 pairs of analogue balanced audio output via 1x15 Pin D-sub (4xXLR Breakout Cable) (1 by default, 2 is a future option)
AES/EBU	2 pairs of digital unbalanced AES/EBU output via 1x15 Pin D-sub (2xBNC, Breakout Cable) (1 by default, 2 is a future option)

Video Decoding

Video Profile/Levels	MPEG-2 SD 4:2:0 MP@ML- MPEG-2 HD 4:2:0 MP@ML H.264 SD MP@L3 H.264 HD MP@L4.1/HP@L4.1 H.265 Main/Main 10 profile@L5.1 High-tier AVS-P 16(AVS+) AVS2 P2 10-bit Profile @Level 8.2.60
Output Format	720x576i@25 720x480i@29.97,30 720x480p@50,59.94,60 1280x720p@50,59.94,60 1920x1080i@25,29.97,30 1920x1080p@25,30,50,59.94,60 3840x2160@25,30,50,60
Aspect Ratio Conversion	16:9 or 4:3

Audio Decoding

Number of Audio Pairs	2
Audio Codecs Supported	Mpeg-1 Layer II Dolby Digital/AC-3 Dolby Digital Plus/E-AC3 AAC-LC, HE-AAC, HE-AACv2
SDI Embedded Audio Output	2
Adjustable Volume Level	-63~0dB

DVB-ASI

Interface	4 BNC, 75Ω (2xASI input, 2xASI output)
Max Bit-rate	150Mbps
Packet Type	Input:188 and 204 bytes Output: 188 bytes
Input Mode	Spread and burst
Output Mode	Spread

Ancillary Data Support

SDI ANC Data	Closed Captions (CEA/EIA-708)
SDI VBI Waveform	Line 21 Captions (CEA/EIA-608)
DVB Subtitle	DVB subtitle burning (ETSI EN 300 743)

Management

Connector	RJ-45 10/100Mbps - auto negotiation
Protocols	HTTP
User Interfaces	Full control via web GUI Front panel
Firmware Updates	Via web GUI

Physical & Environment

Power Supply	100~240 VAC 50/60Hz
Size	1RU rack mount chassis
Dimension	483mm x 312mm x 44mm
Operating Temperature	0 C ~50 C
Storage Temperature	-10 C ~70 C
Relative Operating Humidity	< 95% (non-condensing)

Order Information

Model	Description
IMPULSE 400D	Impulse Receiver Decoder SDI/HDMI outputs, IP/ASI in/out, HLS in, H.264/MPEG-2 video and MPEG1L2, AC3, AAC audio decoding, Genlock
IMPULSE 400D-DUAL	Impulse Receiver Decoder SDI/HDMI outputs (Dual AC Power), IP/ASI in/out, HLS in, H.264/MPEG-2 video and MPEG1L2, AC3, AAC audio decoding, Genlock
IMPULSE 400D XLRCABLE	XLR Audio Breakout Cable for Impulse 400D

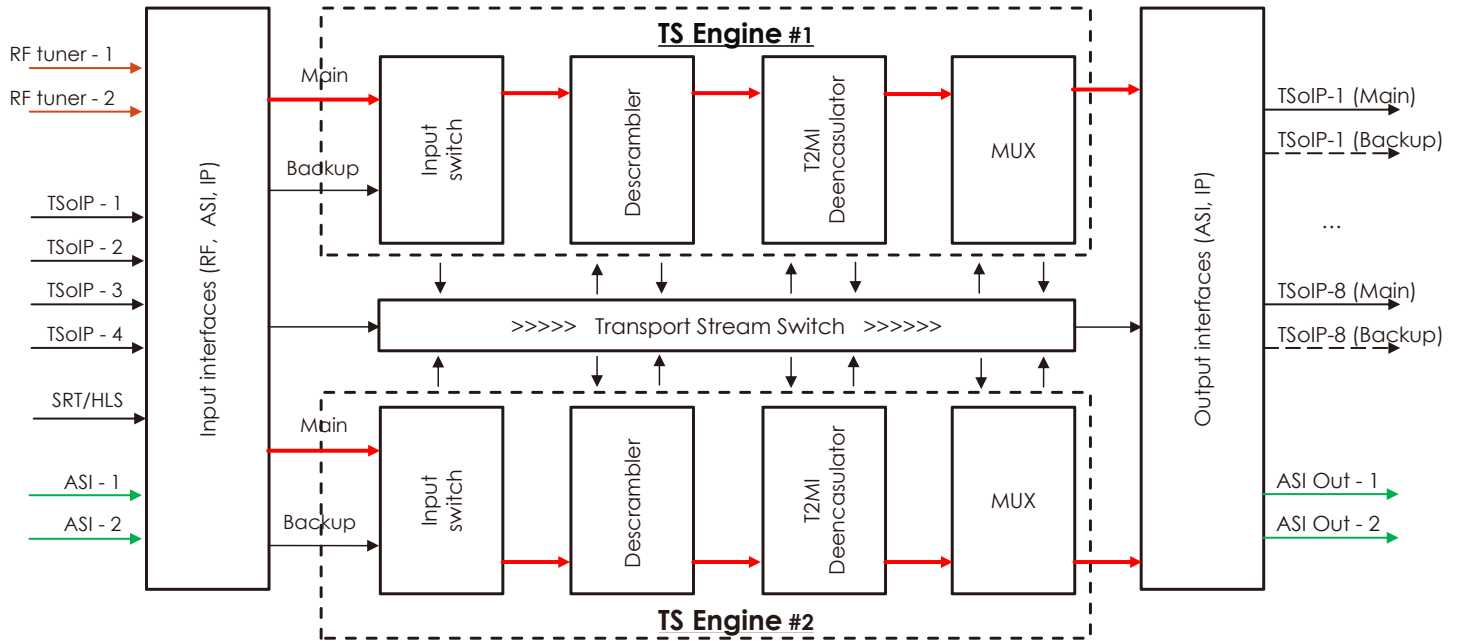
4K UHD Receiver/Decoder

Impulse 400D



Impulse 400D Signal Processing

TS processing



Decoding



* The terms HDMI and HDMI High-Definition Multimedia Interface, and the HDMI Logo are trademarks or registered trademarks of HDMI licensing LLC in the United States and other countries.