

TV to the Back of Beyond

Richard Kaub, CTO, AVW Group
richard@avw.com.au

- **Acknowledgement of Country**
- **Layers of distribution of Australian broadcasting**
- **Technology used at the “real” edges of the networks**
- **Remote Australia needs broadcast models a lot longer yet**
- **Current model is badly broken in places**
- **A solution**
- **Questions**

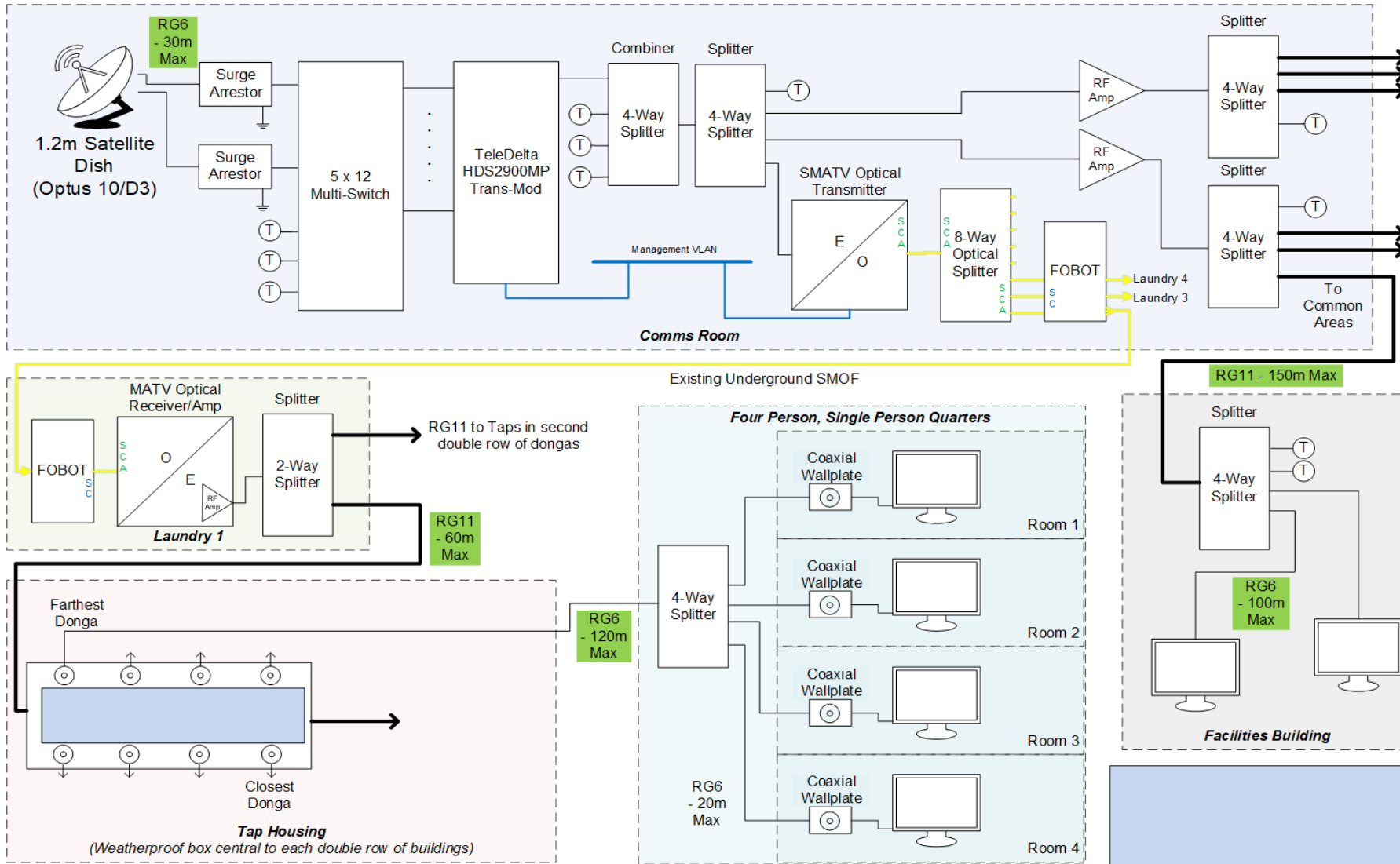
- **I acknowledge the traditional custodians of the country we meet on today.**
- **I pay respect to their culture, history and their elders past, present and emerging and all First Nations people of the lands and waters of Australia**

- **National networks – all metro based and vastly centralised to just a couple of cities**
- **ABC and SBS don't localise passed states/territories - limited**
- **Commercials – localise to “regions”. Complicated re-processing and distribution**
- **SCA, Seven West (Prime), WIN, Imparja, NBN...**

- **A whole host of downstream processing/distribution in REMOTE communities**
- **Remote industry – resources (FIFO) “camps”, on-shore (some very on-shore), off-shore...**
- **Remote communities – rural, indigenous – distance has all sorts of issues, socio-economic limits...**

- **Depends on existing infrastructure – coax, fibre, IP, RF**
- **Customised solutions – trans-mod, streaming headends**
- **Coax - Simple RF (MATV) to DOCSIS for IP distribution**
- **HFC - Optical link to cover the distances where coax runs out of puff**
- **Fibre – GPON (just like FTTP). TV either on IP or RF overlay on the optical (CWDM)**
- **Stabilised satellite antenna on rigs/vessels**
- **All sourced from satellite (e.g. VAST) – surprises when changes to source services**
- **Maybe local VOD over IP – trickle fed to local server**

TV to the Back of Beyond – FIFO Camp example



Note:
Unless specified otherwise all cabling is RG-6
Quad shielded Coax with compression F-type
connectors and <1m length



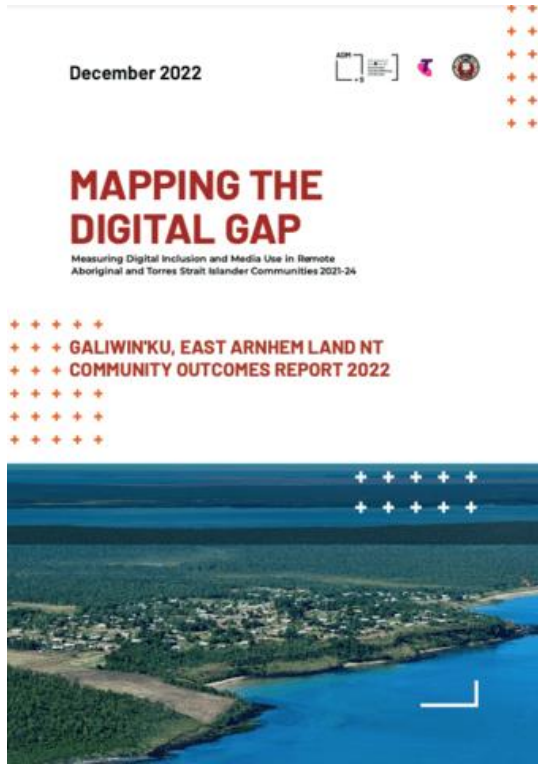
This drawing is copyright and may not be copied or duplicated or used in whole or in part by any third party without the written permission of an authorized representative of AVW.

Released for Review

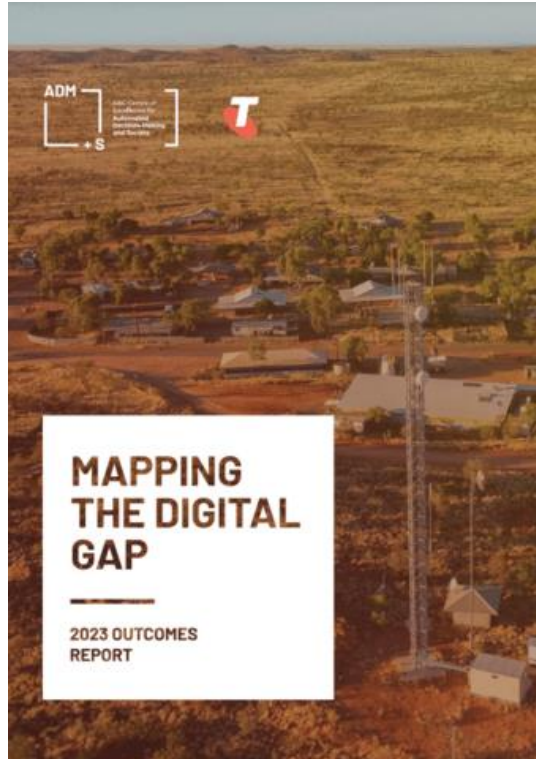
- **It's a bloody big continent and waters**
- **Very sparse populations but they have a right to services**
- **Poorly served with IP**
- **Cost of laying cables for vast distances just not economic and too slow**
- **Satellite provides flexibility – just point up in minutes and you're away**
- **New IP solutions (LEO, MEO, GEO – HTS...) but they are finite resources also**
- **DTH (broadcast) still makes lots of sense**

- Remote indigenous communities are not getting the services they have a right to
- USO
- Closing the Gap
- Even if there was IP available, often have low socio-economic situation
- DTH has failed these communities – RMIT studies, regional broadcaster feedback
- Optus satellite beam contours shows large areas of the country with 8dB less EIRP than cities
- Just because you live in a remote community why should you have to pay/maintain TVRO, where the cities all have simple/cheap DTT?

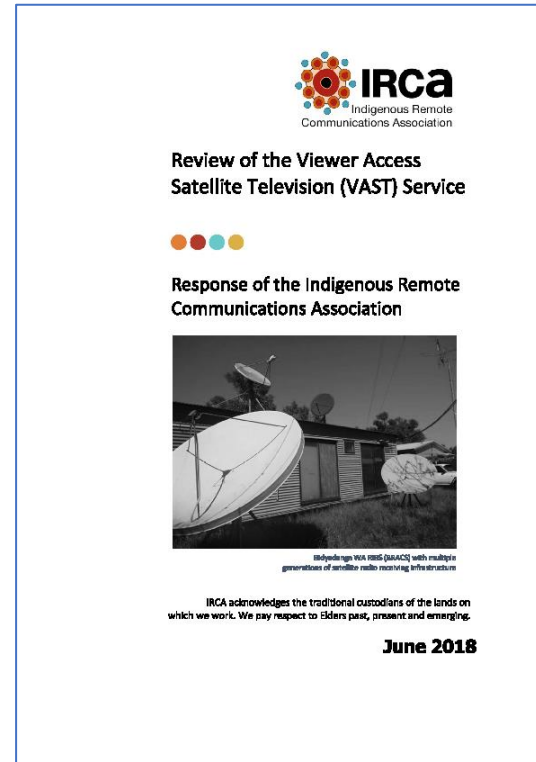
TV to the Back of Beyond – the studies agree



<https://apo.org.au/node/321218>

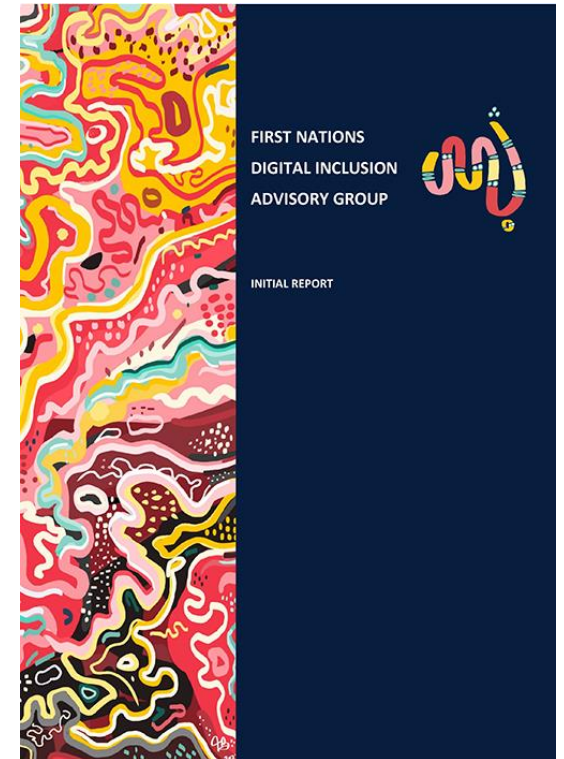


<https://apo.org.au/node/324397>



https://www.infrastructure.gov.au/sites/default/files/submissions/irca_0.pdf

 **SMPTE PRESENTS**
met.expo.2024



<https://www.digitalinclusion.gov.au/sites/default/files/documents/first-nations-digital-inclusion-advisory-group-initial-report.pdf>


www.avw.com.au | www.avw.co.nz



Imparja Television Pty Ltd
ABC-TV 029 620 100

Media Release
27 March 2023

No Voice Without Pictures – urgent action needed to address the crisis facing remote TV broadcasting

Four out of five Indigenous households won't be following this week's televised broadcasts on a voice to parliament as remote areas remain deprived of basic television services.

That's the blunt message representatives of Imparja, the Indigenous-owned not-for-profit broadcaster delivering commercial television services to the most remote areas of the country, will deliver today to government MPs.

Imparja Television CEO Mr Alistair Feehan pleaded with the Albanese Government to take urgent action to address the remote broadcasting crisis which continues to cut off remote Indigenous Australians from national and international news, views and entertainment.

'Instead of being included in a community debate about the need for Indigenous voices to be heard by decision-makers, remote Indigenous Australians will be out of the loop,' Feehan said. 'It's a bitter irony that the very people the voice is designed to assist won't have a clue what's going on in Canberra.'

Recent work by the Royal Melbourne Institute of Technology (RMIT)¹ has revealed that up to 80 percent of Indigenous households have no working free television service due to damaged cabling or dishes and defunct set top boxes.

Appeals to government for rescue packages to ensure Indigenous Australians can access the same news, information and entertainment as other Australians have for years been ignored.

'If we are serious about using the Voice to Parliament to include First Nations peoples in policy debates, we must connect them to those debates through a television in their homes. This is a very basic service other Australians take for granted,' said Feehan.

'We need the Government to step up on this. A demonstration of good faith with Indigenous communities would be if we left Canberra this week with a firm commitment to a plan for the restoration of basic remote television services and a regular program of equipment repair and maintenance.'

¹ <https://apo.org.au/node/321218>

Four out of five Indigenous households won't be following this week's televised broadcasts on a voice to parliament as remote areas remain deprived of basic television services.

Recent work by the Royal Melbourne Institute of Technology (RMIT)¹ has revealed that up to 80 percent of Indigenous households have no working free television service due to damaged cabling or dishes and defunct set top boxes.



www.avw.com.au | www.avw.co.nz

- **Remote DTT re-transmission from VAST**
- **Low power DVB-T transmission in communities driven from Trans-mod**
- **A fraction of the cost and size of current re-transmission solutions**
- **Standard “KISS” systems with regional spares - easy swap-out**
- **Does away with dozens (more?) dishes in a community**
- **Residents can use Aus standard TV sets, at considerably reduced cost**
- **Narrow-cast services can also be transmitted to DTT**
- **Local encoder for local service**
- **None of the government reviews have really considered this scenario**
- **AVW Group is keen to work with interested parties**

QUESTIONS?





SMPTE PRESENTS
met.expo.2024

Thank you

Richard Kaub, CTO, AVW Group
richard@avw.com.au



AUSTRALIA:

Email: sales@avw.com.au
Sydney: 02 8213 0200 | Queensland: 073 6073 785
Adelaide: 088 120 3203 | Melbourne: 038 6915 210

WWW.AVW.COM.AU

NEW ZEALAND:

Email: sales@avw.co.nz
Auckland: 09 271 4000 | Wellington: 04 499 3888

WWW.AVW.CO.NZ

NEW ZEALAND

SYDNEY

SINCE 1983

SINCE 2000

The home of Media Professionals, Technologists and Engineers