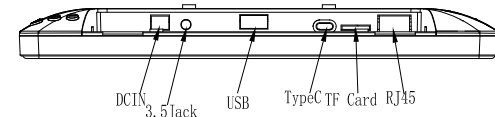
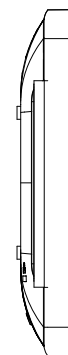
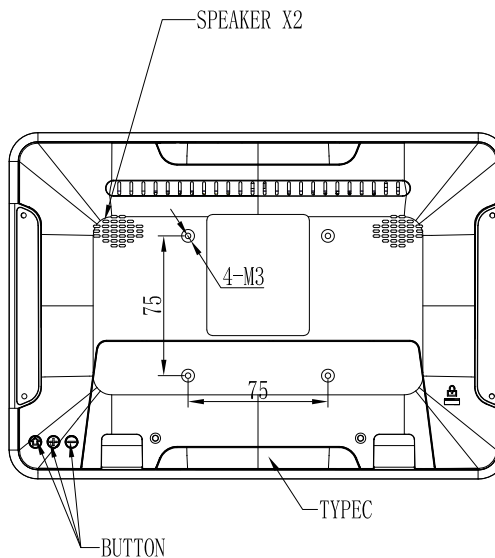
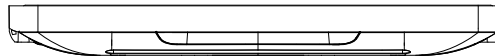
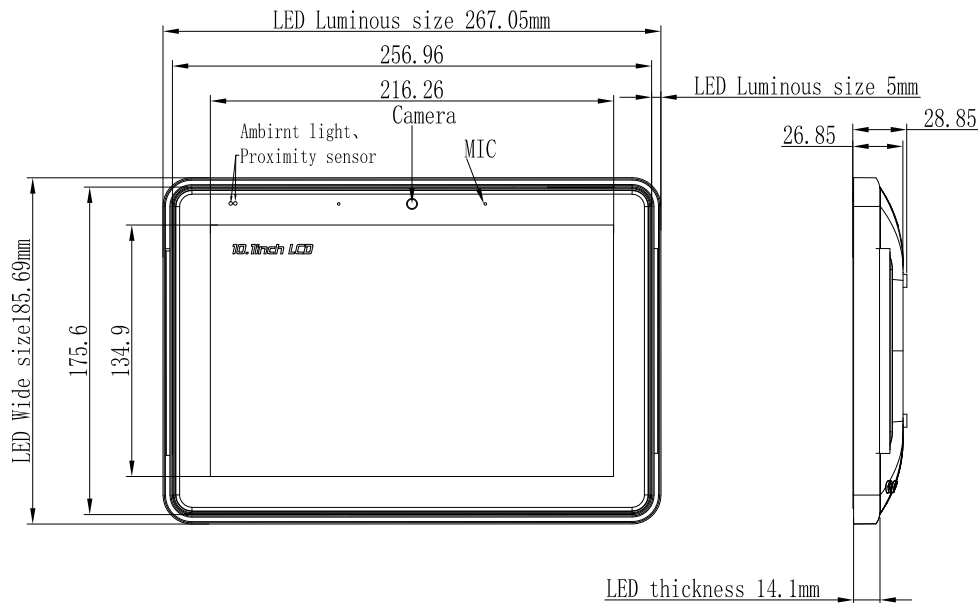


NO. GS.NEB101-LED-A133-20230817



Disclaimer:
Receiver agrees that all Glory Star Group Limited display equipment technical and engineering drawings are provided per client requirements and shall be treated as confidential information. By accepting the drawings receiver acknowledges that the information provided herein is protected as trade secrets and will not be copied, reprinted or shared with other parties except as required, on a need to know basis, to fulfill the terms of the Glory Star Group agreement.



Glory Star Group Limited

MODEL	NEB101		OEM/STOCK		ODM	MATERIAL	plastic
DESIGN	Leung Chao	DATE	20230817	VIEW		UNIT	MM
CHECKED	Hanly_liu	DATE	20230817			SCALE	1:1