



The Sound Masking Revolution

Sound masking – the introduction of a specially shaped background ‘noise’ signal into an open workspace– directly benefits workers by making it harder to hear other conversations. The use of sound masking is growing rapidly as companies worldwide recognize its benefits for improving productivity.

Revolution Acoustics offers best in class sound masking packages which provide uniform coverage at a lower cost.

Benefits for you and your customers:

- Uniform sound masking signal everywhere in the room
- Fewer speakers required - reduced equipment costs and fewer SKU's
- Faster, easier installation - save both time and money
- Completely invisible - maintain aesthetics while providing superior coverage
- Solutions for drywall, suspended and open ceilings
- Provides a seamless sound masking solution in Dante[®] networks



“Revolution Acoustics products have the high performance and uniform dispersion that are critical to the proper function of a sound masking system.”

Steve Johnson
ADI Workplace Acoustics





The Revolution Acoustics Advantage

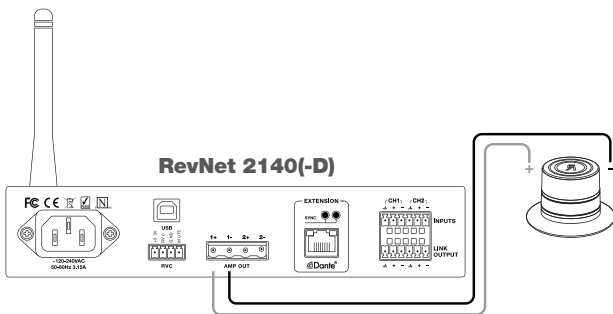
Uniformity

If a sound masking signal is not consistent, it will become audible to workers and may annoy rather than help them. Full, uniform coverage of the workspace – both horizontal and vertical – is critical. The SSP6 achieves this through its use of planar wave physics, which utilizes the room's substrates (ceilings, walls, etc.) as a sound board. Varying room finishes are no problem - Revolution Acoustics has solutions for hard surfaces, suspended ceilings and even open-ceiling areas using proprietary Revolution Acoustics accessories.

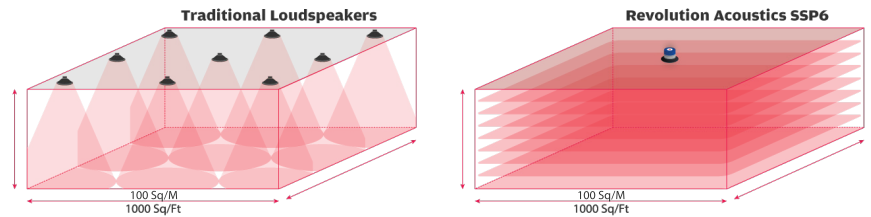
Cost savings

One SSP6 Multiducer can replace **NINE** conventional sound masking emitters while providing more uniform coverage. And it doesn't stop there. A single RevNet 2140 amp – with built-in sound masking generator – can power 28 SSP6 units in 70V mode, replacing 252 conventional emitters – dramatic savings in installation time, labor and cabling costs.

1,000 Sq/Ft Coverage

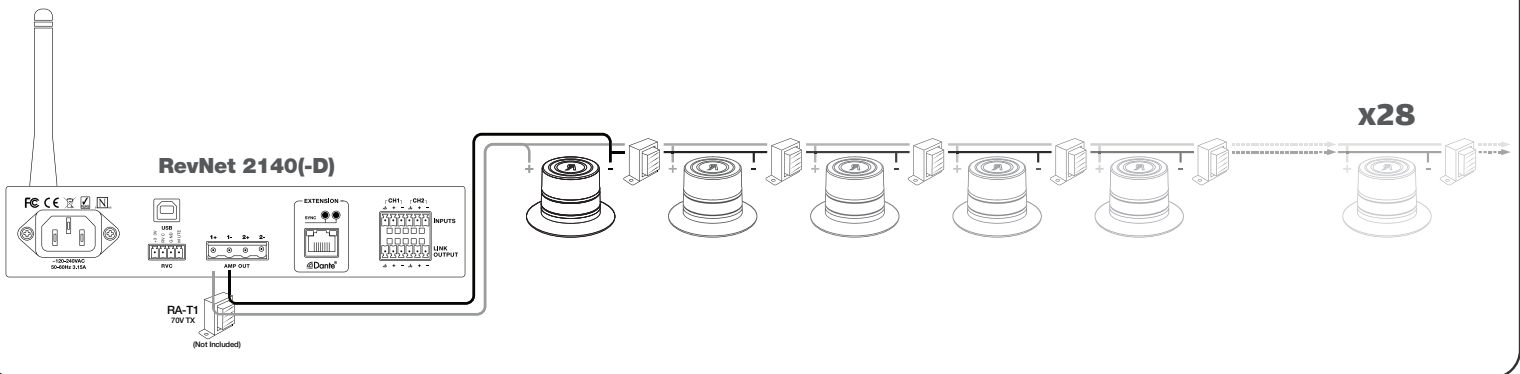


Sound Masking Coverage Comparison



28,000 Sq/Ft Coverage @ 70V with Transformers

Only 28 units needed for full coverage of 28,000 square feet



Join the Revolution!

