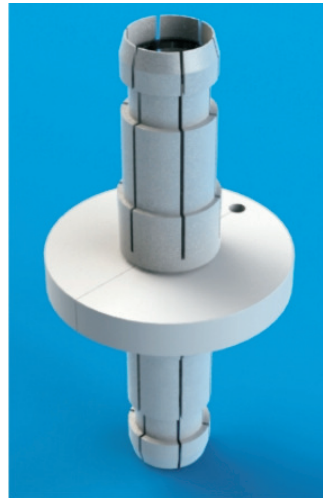
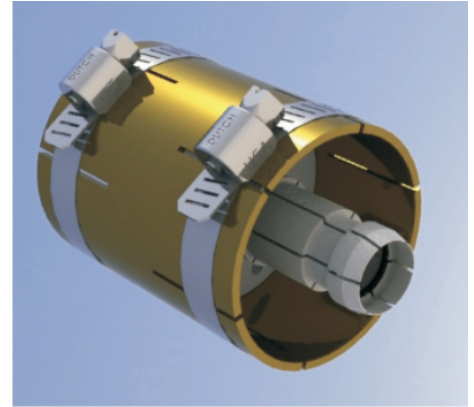


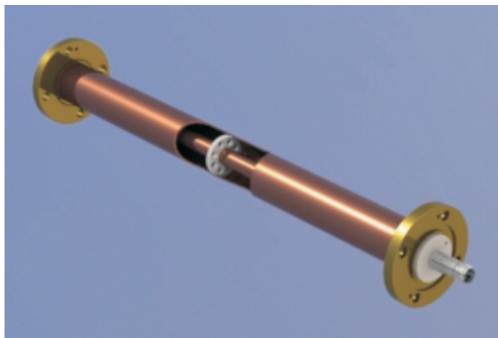
RL 158.14



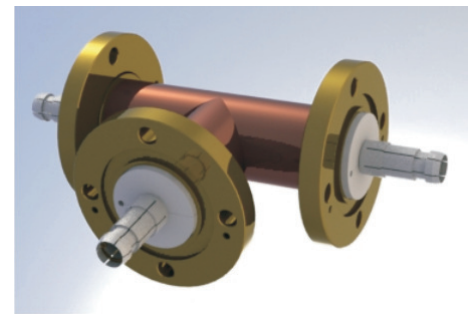
RL 158.35



RL 158.32

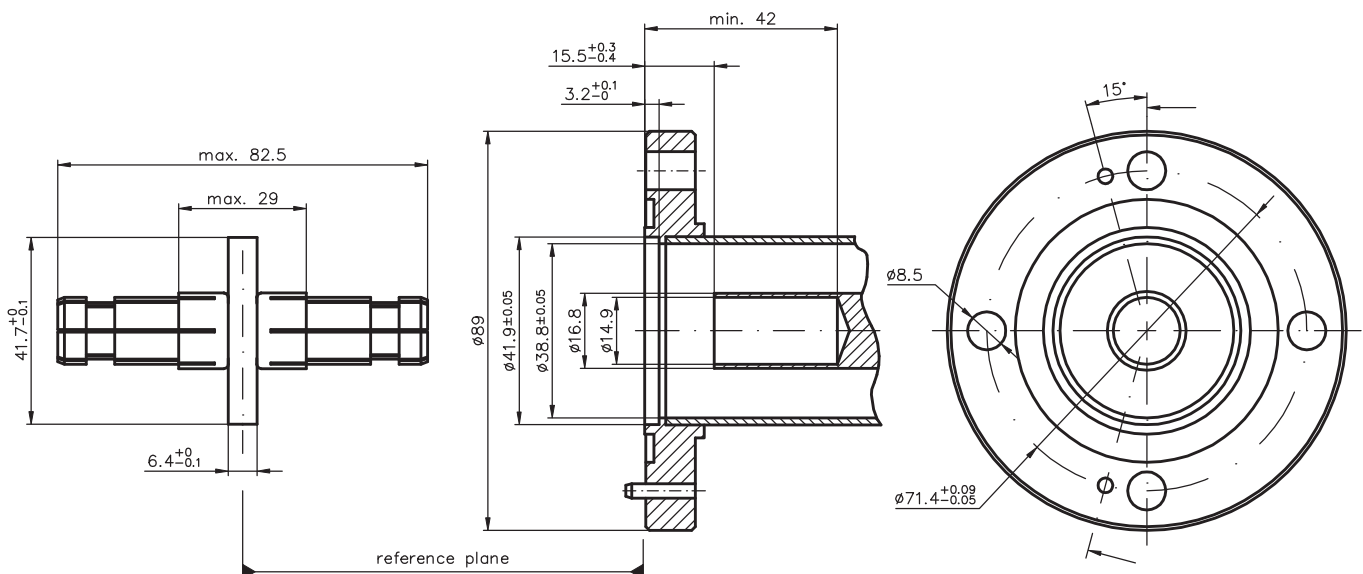


RL 158.01



RL 158.19

- Outer Conductor: high conductivity hard drawn copper tubing ($\varnothing 41.3$ mm. x $\varnothing 38.8$ mm.)
- Inner Conductor: high conductivity hard drawn copper tubing ($\varnothing 16.9$ mm. x $\varnothing 14.9$ mm.)
- Insulation Material: virgin PTFE

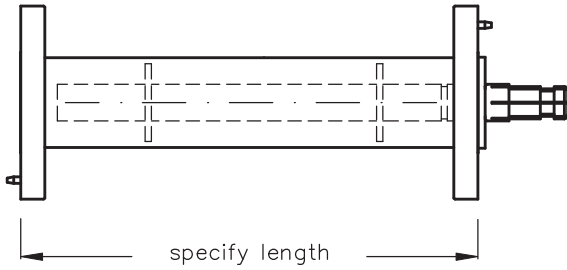


* All dimensions shown are in millimeters.
 * Drawings not to scale.

Mating Face Dimension - 1 5/8"
 (EIA standard RS-225)



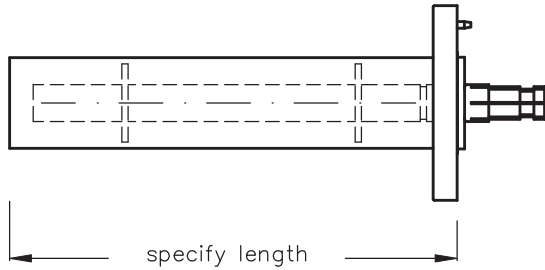
Line size 1 5/8"



Line assembly, flanged with fixed and swivel flange. Brass and copper construction. Includes one anchor insulator conductor connector, silicone O-ring and stainless steel hardware set.

RL 158.01

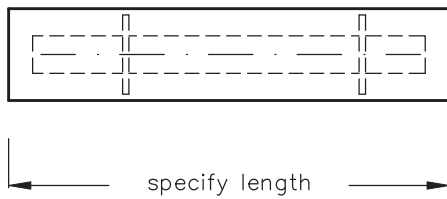
Line size 1 5/8"



Line assembly, one end fixed flanged. Includes one anchor insulator conductor connector, silicone O-ring and stainless steel hardware set.

RL 158.02

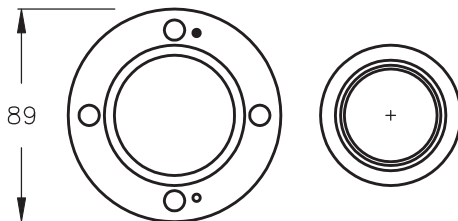
Line size 1 5/8"



Line assembly, unflanged, no insulator conductor connector or hardware.

RL 158.04

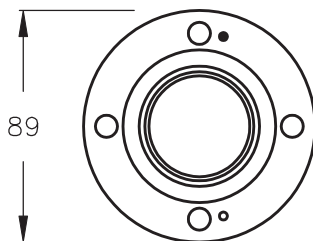
Line size 1 5/8"



Swivel EIA flange, brass. Includes only sliding and fixed ring prepared for silver brazing to outer conducting tubing.

RL 158.06

Line size 1 5/8"



Fixed EIA flange prepared for silver brazing to outer conducting tubing.

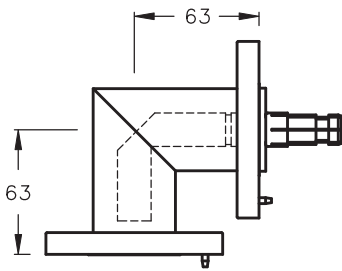
RL 158.08



* All dimensions shown are in millimeters.
* Drawings not to scale.



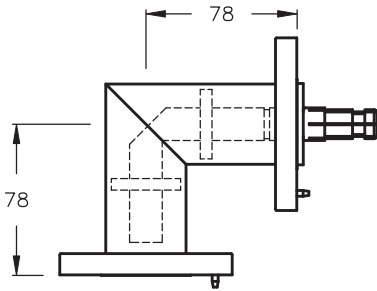
Line size 1 5/8"



Miter elbow 90°, swivel EIA flanges on both ends, brass and copper construction. Includes unsupported inner conductor, one anchor insulator conductor connector, silicone O-ring and stainless steel hardware set.

RL 158.11

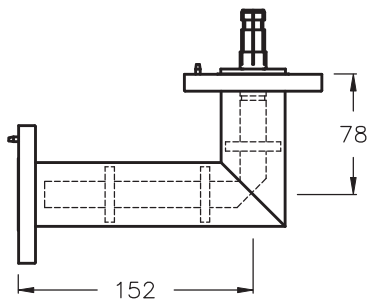
Line size 1 5/8"



Miter elbow 90°, swivel EIA flanges on both ends, brass and copper construction. Includes supported inner conductor, anchor insulator conductor connector, silicone O-ring and stainless steel hardware set.

RL 158.14

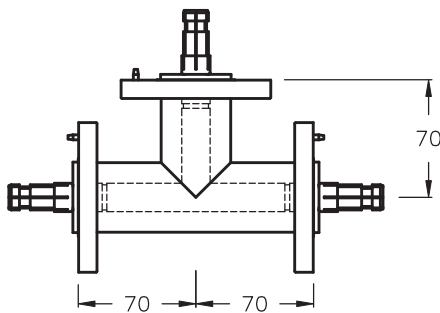
Line size 1 5/8"



Miter elbow 90°-unequal legs, swivel EIA flanges on both ends, brass and copper construction. Includes supported inner conductor, one anchor insulator conductor connector, silicone O-ring and stainless steel hardware set.

RL 158.16

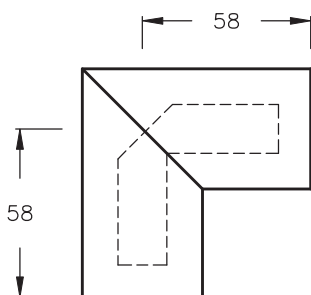
Line size 1 5/8"



Tee assembly, swivel EIA flanges. Includes three anchor insulator connectors, O-rings and hardware sets.

RL 158.19

Line size 1 5/8"



Miter elbow 90°-unflanged, copper construction. Includes only one unsupported inner conductor.

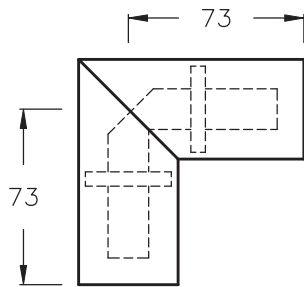
RL 158.22



* All dimensions shown are in millimeters.
* Drawings not to scale.



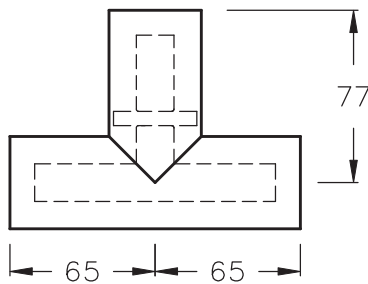
Line size 1 5/8"



Miter elbow 90°-unflanged, long legs, copper construction. Includes only one supported inner conductor.

RL 158.25

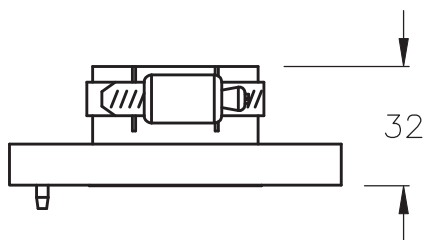
Line size 1 5/8"



Tee assembly, unflanged, copper construction. Includes only supported inner conductor.

RL 158.28

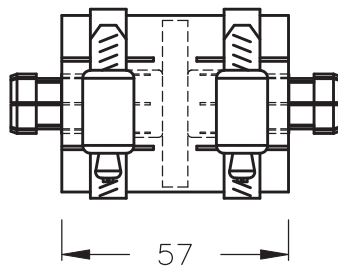
Line size 1 5/8"



Unpressurized EIA field flange for indoor use. Includes one stainless steel hose clamp and hardware set.

RL 158.30

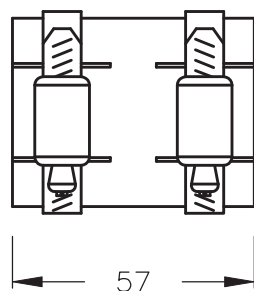
Line size 1 5/8"



Line coupling for connection of unflanged lines. Includes supported inner conductor connector and two stainless steel hose clamps.

RL 158.32

Line size 1 5/8"



Line coupling for connection of unflanged lines. No inner conductor connector. Includes two stainless steel hose clamps (does not increase outer conductor length).

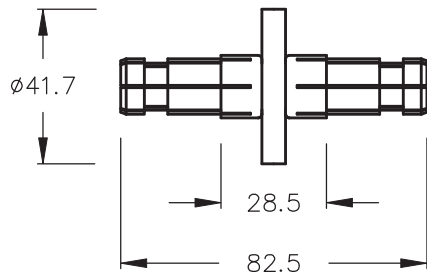
RL 158.33



* All dimensions shown are in millimeters.
* Drawings not to scale.



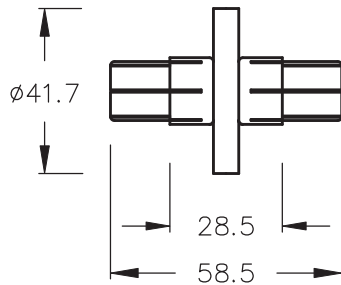
Line size 1 5/8"



Anchor insulator conductor connector, for EIA flange connection, silver plated. **Standard length.**

RL 158.35

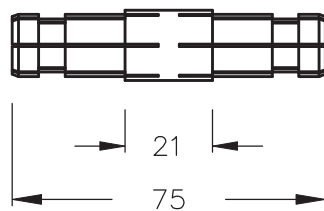
Line size 1 5/8"



Anchor insulator conductor connector, for EIA flange connection, silver plated. **Short version.**

RL 158.36

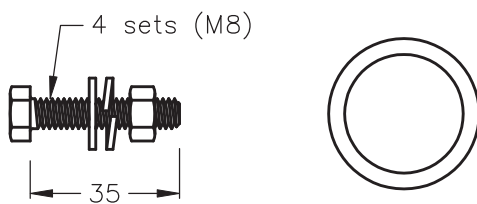
Line size 1 5/8"



Unsupported inner conductor connector.

RL 158.40

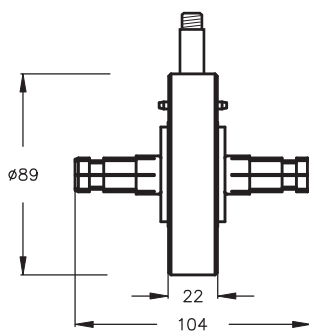
Line size 1 5/8"



Stainless steel hardware set with silicone rubber O-ring.

RL 158.45

Line size 1 5/8"

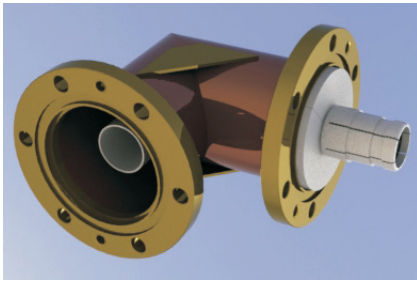


Gas barrier with silicone O-ring and stainless steel hardware set.

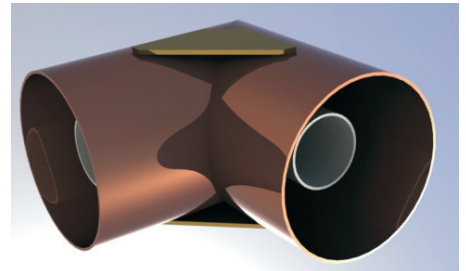
RL 158.50



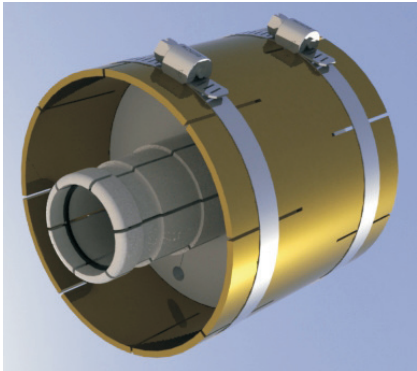
* All dimensions shown are in millimeters.
* Drawings not to scale.



RL 318.11



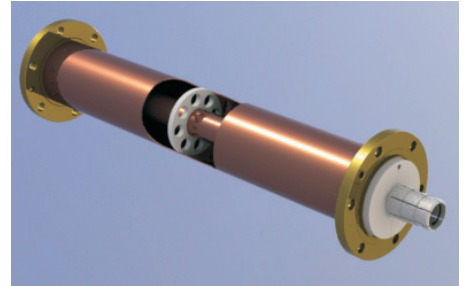
RL 318.22



RL 318.32

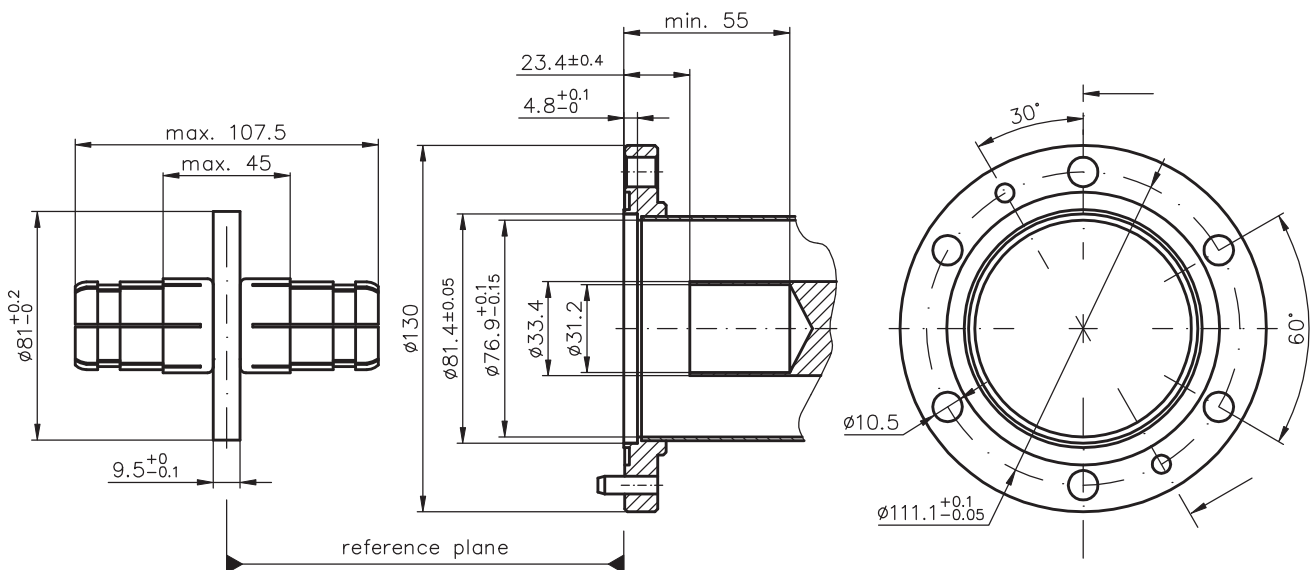


RL 318.35



RL 318.01

- Outer Conductor: high conductivity hard drawn copper tubing (\varnothing 79.4 mm. x \varnothing 76.9 mm.)
- Inner Conductor: high conductivity hard drawn copper tubing (\varnothing 33.4 mm. x \varnothing 31.3 mm.)
- Insulation Material: virgin PTFE



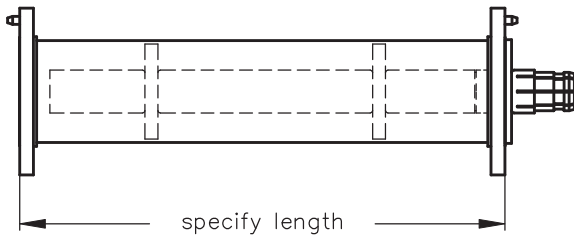
Mating Face Dimension - 3 1/8"
(EIA standard RS-225)



* All dimensions shown are in millimeters.
* Drawings not to scale.



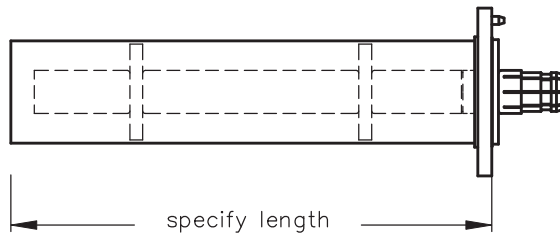
Line size 3 1/8"



Line assembly, flanged with fixed and swivel flange. Brass and copper construction. Includes one anchor insulator conductor connector, silicone O-ring and stainless steel hardware set.

RL 318.01

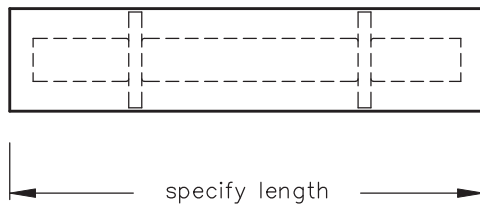
Line size 3 1/8"



Line assembly, one end fixed flanged. Includes one anchor insulator conductor connector, silicone O-ring and stainless steel hardware set.

RL 318.02

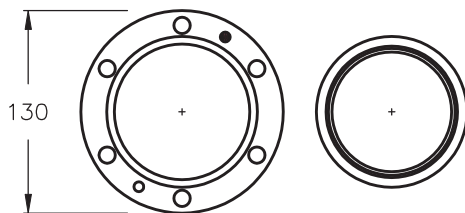
Line size 3 1/8"



Line assembly, unflanged, no insulator conductor connector or hardware.

RL 318.04

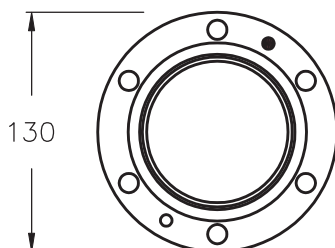
Line size 3 1/8"



Swivel EIA flange, brass. Includes only sliding and fixed ring prepared for silver brazing to outer conducting tubing.

RL 318.06

Line size 3 1/8"



Fixed EIA flange with silver solder ring insert for silver brazing to outer conducting tubing.

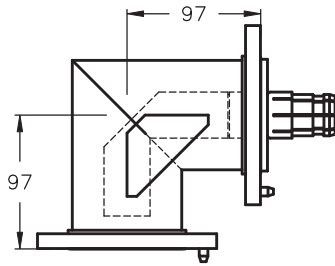
RL 318.08



* All dimensions shown are in millimeters.
* Drawings not to scale.



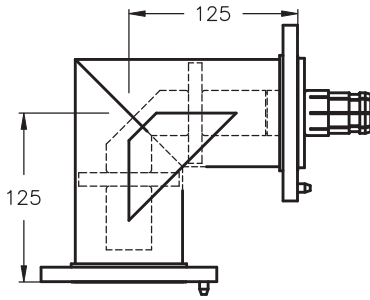
Line size 3 1/8"



Miter elbow 90°, swivel EIA flanges on both ends, reinforced outside, brass and copper construction. Includes unsupported inner conductor, one anchor insulator conductor connector, silicone O-ring and stainless steel hardware set.

RL 318.11

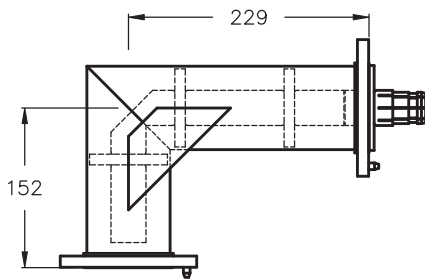
Line size 3 1/8"



Miter elbow 90°, swivel EIA flanges on both ends, reinforced outside, brass and copper construction. Includes supported inner conductor, anchor insulator conductor connector, silicone O-ring and stainless steel hardware set.

RL 318.14

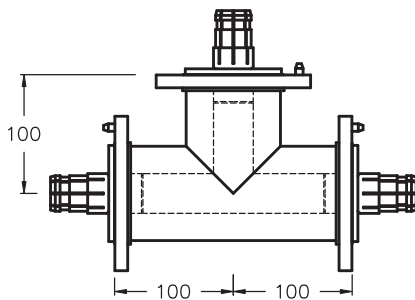
Line size 3 1/8"



Miter elbow 90°-unequal legs, swivel EIA flanges on both ends, reinforced outside, brass and copper construction. Includes supported inner conductor, one anchor insulator conductor connector, silicone O-ring and stainless steel hardware set.

RL 318.16

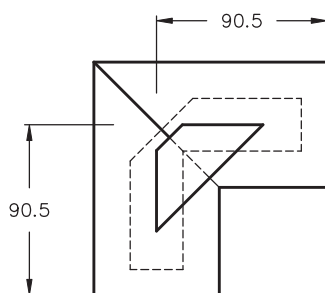
Line size 3 1/8"



Tee assembly, swivel EIA flanges. Includes three anchor insulator connectors, O-rings and hardware sets.

RL 318.19

Line size 3 1/8"



Miter elbow 90°-unflanged, reinforced outside, copper construction. Includes only one unsupported inner conductor.

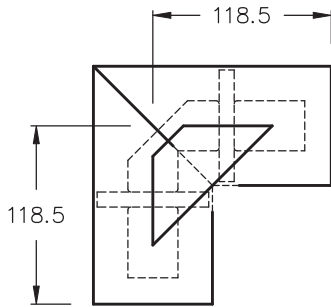
RL 318.22



* All dimensions shown are in millimeters.
* Drawings not to scale.



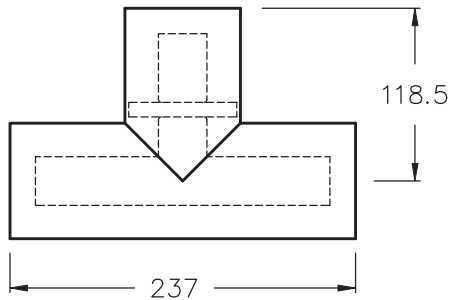
Line size 3 1/8"



Miter elbow 90°-unflanged, long legs, reinforced outside, copper construction. Includes only one supported inner conductor.

RL 318.25

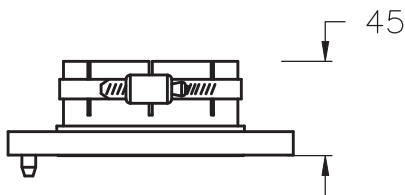
Line size 3 1/8"



Tee assembly, unflanged, copper construction. Includes only supported inner conductor.

RL 318.28

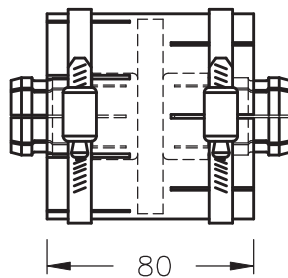
Line size 3 1/8"



Unpressurized EIA field flange for indoor use. Includes one stainless steel hose clamp and hardware set.

RL 318.30

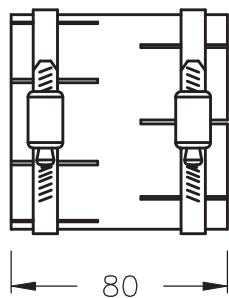
Line size 3 1/8"



Line coupling for connection of unflanged lines. Includes supported inner conductor connector and two stainless steel hose clamps.

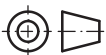
RL 318.32

Line size 3 1/8"

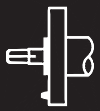


Line coupling for connection of unflanged lines. No inner conductor connector. Includes two stainless steel hose clamps (does not increase outer conductor length).

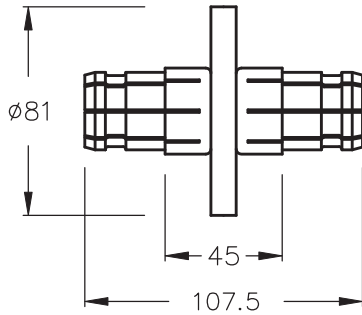
RL 318.33



* All dimensions shown are in millimeters.
* Drawings not to scale.



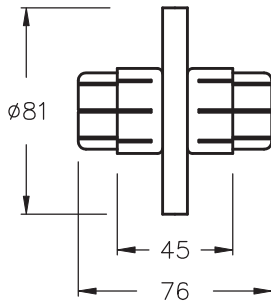
Line size 3 1/8"



Anchor insulator conductor connector, for EIA flange connection, silver plated. *Standard length.*

RL 318.35

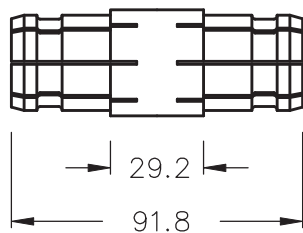
Line size 3 1/8"



Anchor insulator conductor connector, for EIA flange connection, silver plated. *Short version.*

RL 318.36

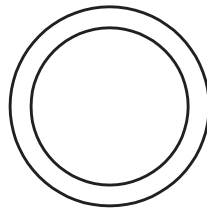
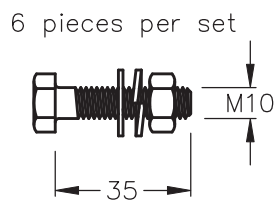
Line size 3 1/8"



Unsupported inner conductor connector.

RL 318.40

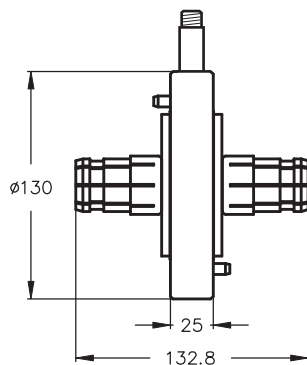
Line size 3 1/8"



Stainless steel hardware set with silicone rubber O-ring.

RL 318.45

Line size 3 1/8"

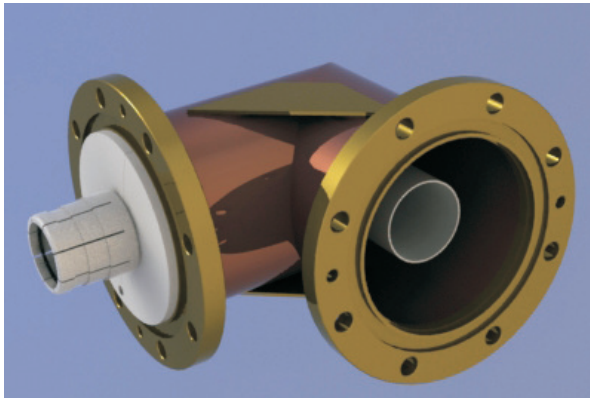


Gas barrier with silicone O-ring and stainless steel hardware set.

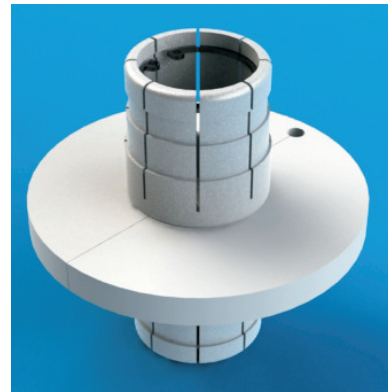
RL 318.50



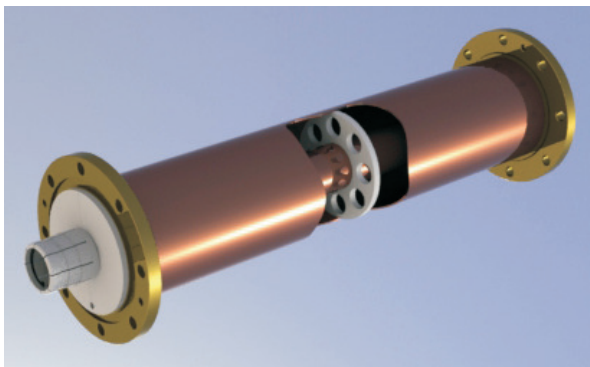
* All dimensions shown are in millimeters.
* Drawings not to scale.



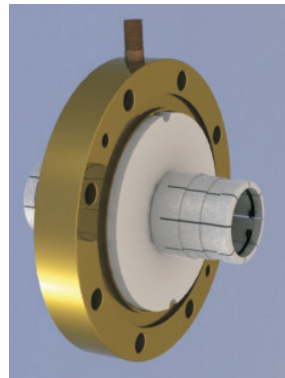
RL 412.11



RL 412.35

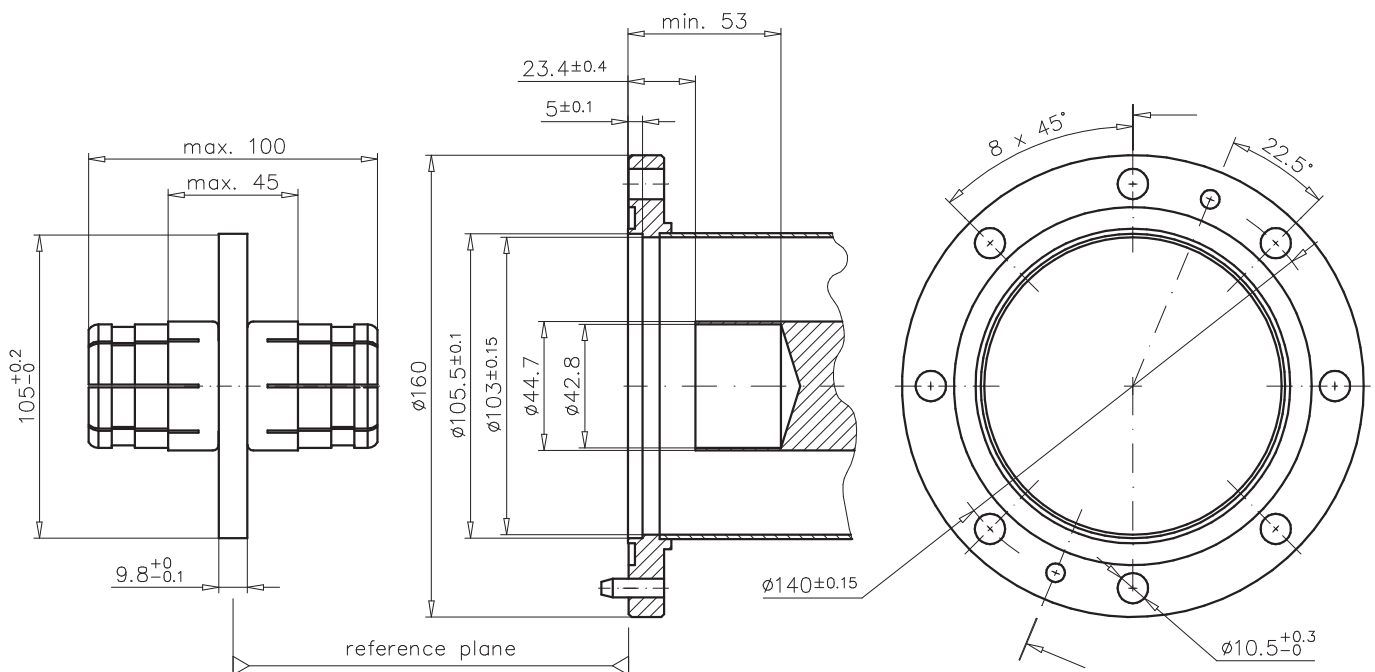


RL 412.01



RL 412.50

- Outer Conductor: high conductivity hard drawn copper tubing
($\varnothing 106 \text{ mm.} \times \varnothing 103 \text{ mm.}$)
- Inner Conductor: high conductivity hard drawn copper tubing
($\varnothing 44.7 \text{ mm.} \times \varnothing 42.8 \text{ mm.}$)
- Insulation Material: virgin PTFE



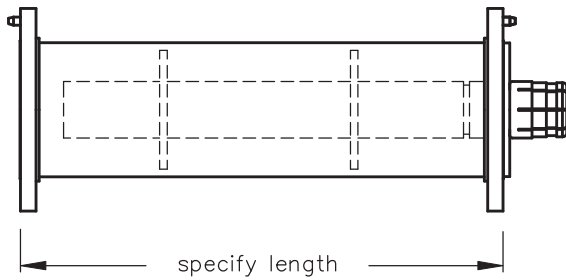
Mating Face Dimension - 4 1/2"



- * All dimensions shown are in millimeters.
- * Drawings not to scale.



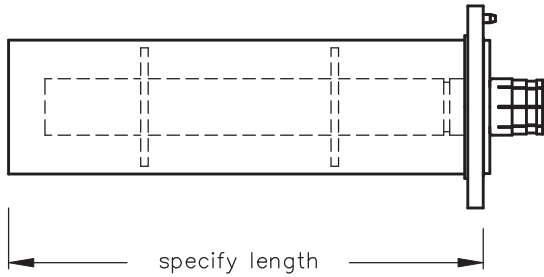
Line size 4 1/2"



Line assembly, flanged with fixed and swivel flange. Brass and copper construction. Includes one anchor insulator conductor connector, silicone O-ring and stainless steel hardware set.

RL 412.01

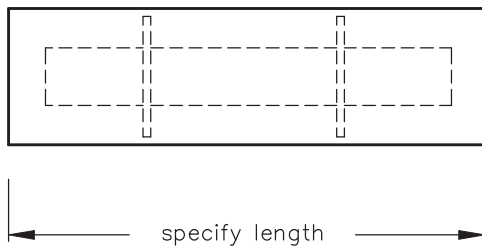
Line size 4 1/2"



Line assembly, one end fixed flanged. Includes one anchor insulator conductor connector, silicone O-ring and stainless steel hardware set.

RL 412.02

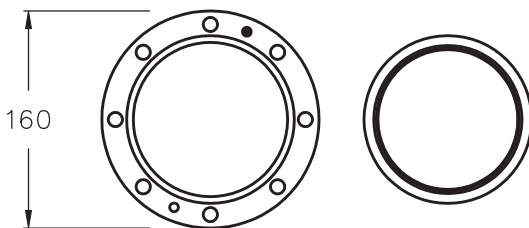
Line size 4 1/2"



Line assembly, unflanged, no insulator conductor connector or hardware.

RL 412.04

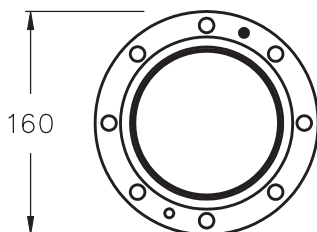
Line size 4 1/2"



Swivel EIA flange, brass. Includes only sliding and fixed ring prepared for silver brazing to outer conducting tubing.

RL 412.06

Line size 4 1/2"



Fixed EIA flange with silver solder ring insert for silver brazing to outer conducting tubing.

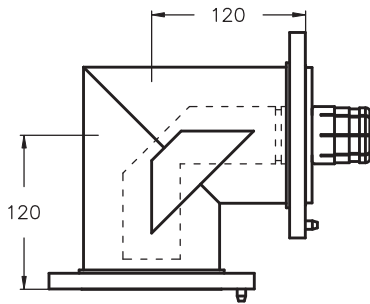
RL 412.08



* All dimensions shown are in millimeters.
* Drawings not to scale.



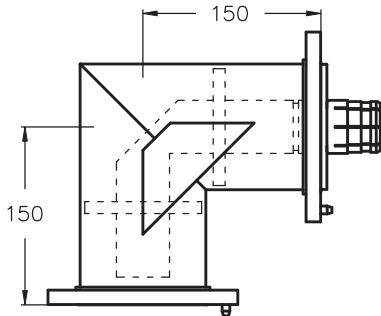
Line size 4 1/2 "



Miter elbow 90°, swivel EIA flanges on both ends, reinforced outside, brass and copper construction. Includes unsupported inner conductor, one anchor insulator conductor connector, silicone O-ring and stainless steel hardware set.

RL 412.11

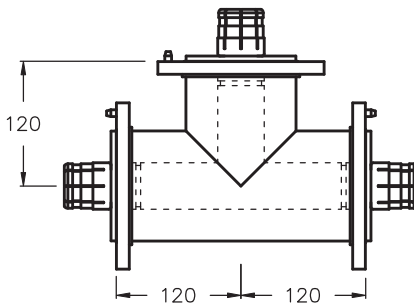
Line size 4 1/2 "



Miter elbow 90°, swivel EIA flanges on both ends, reinforced outside, brass and copper construction. Includes supported inner conductor, anchor insulator conductor connector, silicone O-ring and stainless steel hardware set.

RL 412.14

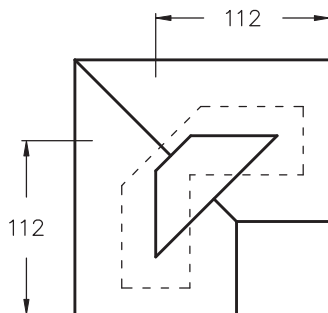
Line size 4 1/2 "



Tee assembly, swivel EIA flanges. Includes three anchor insulator connectors, O-rings and hardware sets.

RL 412.19

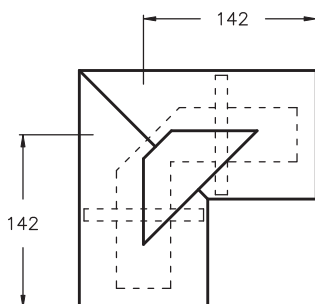
Line size 4 1/2 "



Miter elbow 90°-unflanged, reinforced outside, copper construction. Includes only one unsupported inner conductor.

RL 412.22

Line size 4 1/2 "



Miter elbow 90°-unflanged, long legs, reinforced outside, copper construction. Includes only one supported inner conductor.

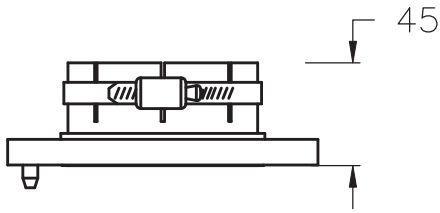
RL 412.25



* All dimensions shown are in millimeters.
* Drawings not to scale.



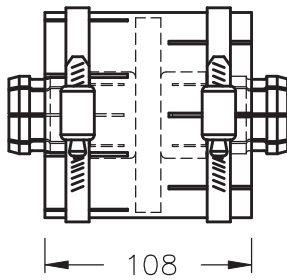
Line size 4 1/2"



Unpressurized EIA field flange for indoor use. Includes one stainless steel hose clamp and hardware set.

RL 412.30

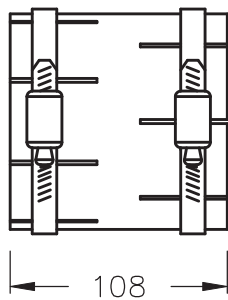
Line size 4 1/2"



Line coupling for connection of unflanged lines. Includes supported inner conductor connector and two stainless steel hose clamps.

RL 412.32

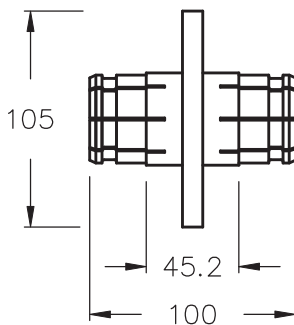
Line size 4 1/2"



Line coupling for connection of unflanged lines. No inner conductor connector. Includes two stainless steel hose clamps (does not increase outer conductor length).

RL 412.33

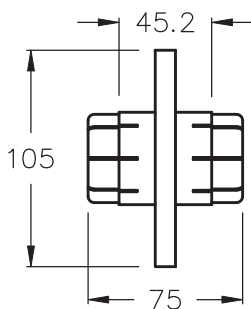
Line size 4 1/2"



Anchor insulator conductor connector, for EIA flange connection, silver plated. *Standard length.*

RL 412.35

Line size 4 1/2"



Anchor insulator conductor connector, for EIA flange connection, silver plated. *Short version.*

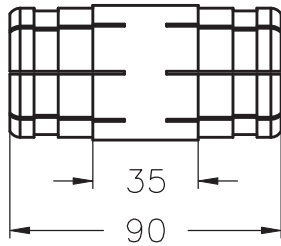
RL 412.36



* All dimensions shown are in millimeters.
* Drawings not to scale.



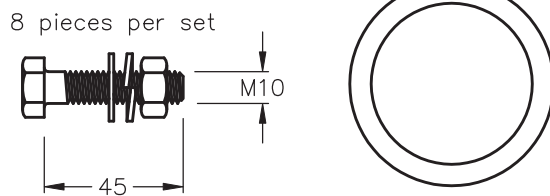
Line size 4 1/2 "



Unsupported inner conductor connector.

RL 412.40

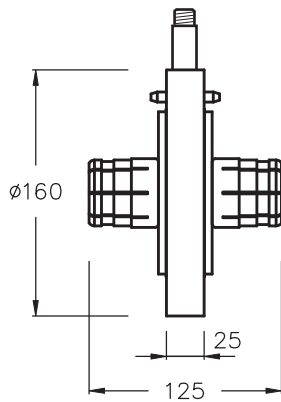
Line size 4 1/2 "



Stainless steel hardware set with silicone rubber O-ring.

RL 412.45

Line size 4 1/2 "

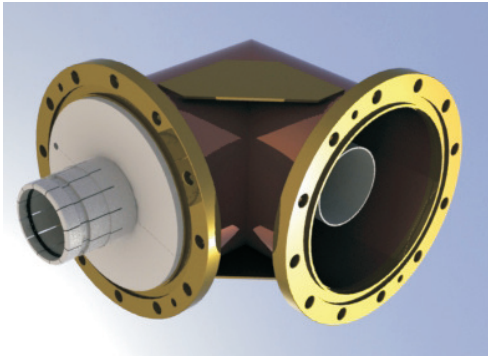


Gas barrier with silicone O-ring and stainless steel hardware set.

RL 412.50



* All dimensions shown are in millimeters.
* Drawings not to scale.



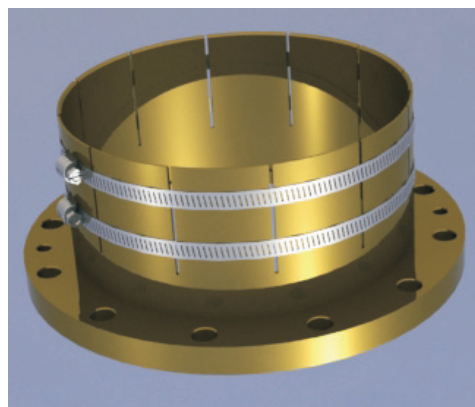
RL 618.11



RL 618.01

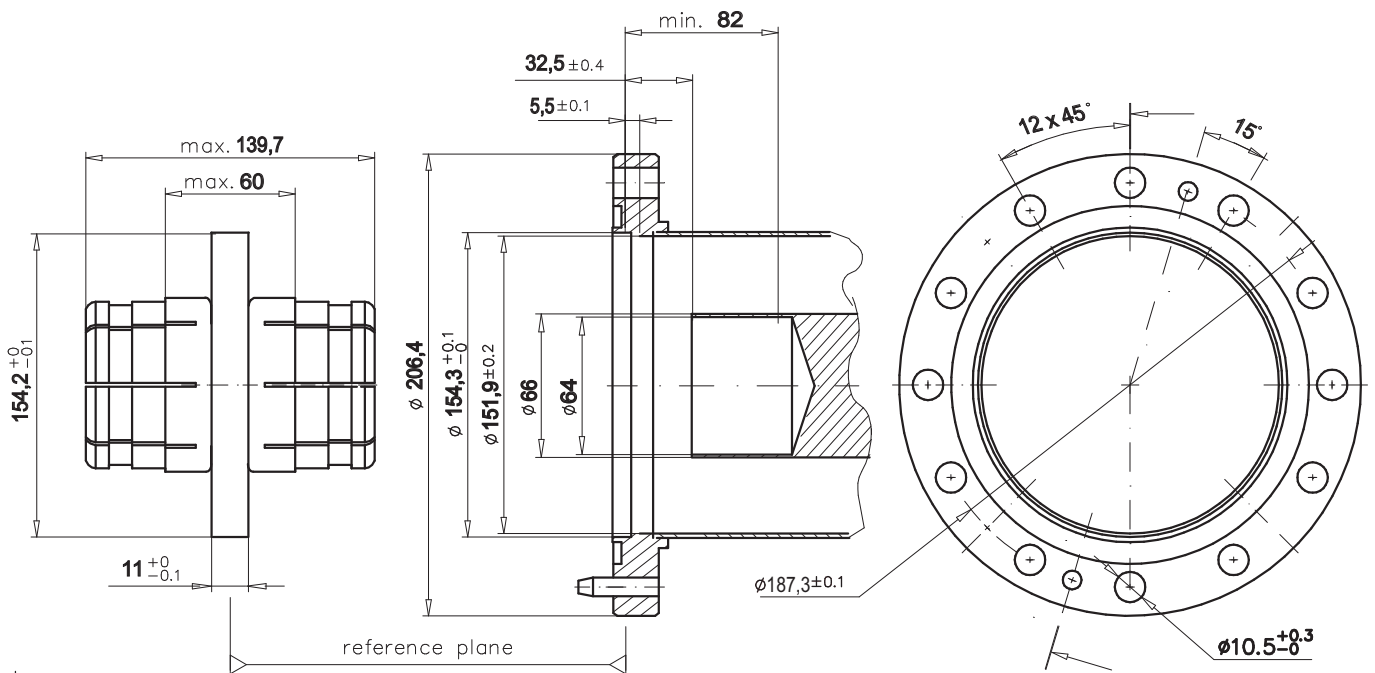


RL 618.35



RL 618.50

- Outer Conductor: high conductivity hard drawn copper tubing (\varnothing 155,6 mm. x \varnothing 151,9 mm.)
- Inner Conductor: high conductivity hard drawn copper tubing (\varnothing 66 mm. x \varnothing 64 mm.)
- Insulation Material: virgin PTFE



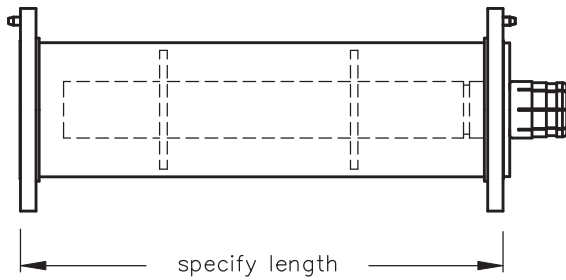
Mating Face Dimension - 6 1/8"



* All dimensions shown are in millimeters.
 * Drawings not to scale.



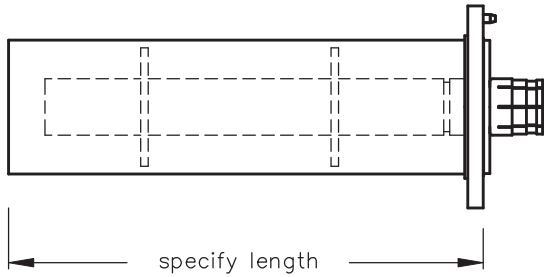
Line size 6 1/8"



Line assembly, flanged with fixed and swivel flange. Brass and copper construction. Includes one anchor insulator conductor connector, silicone O-ring and stainless steel hardware set.

RL 618.01

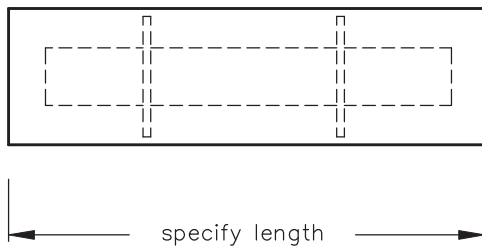
Line size 6 1/8"



Line assembly, one end fixed flanged. Includes one anchor insulator conductor connector, silicone O-ring and stainless steel hardware set.

RL 618.02

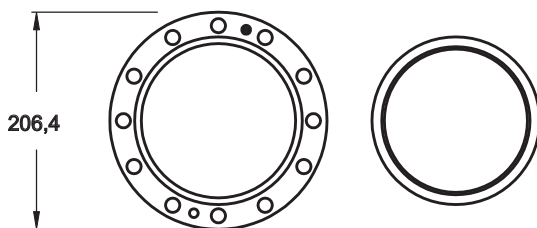
Line size 6 1/8"



Line assembly, unflanged, no insulator conductor connector or hardware.

RL 618.04

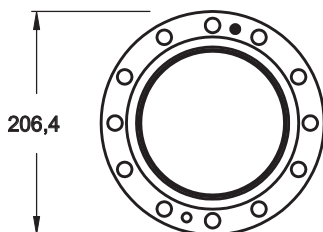
Line size 6 1/8"



Swivel EIA flange, brass. Includes only sliding and fixed ring prepared for silver brazing to outer conducting tubing.

RL 618.06

Line size 6 1/8"



Fixed EIA flange with silver solder ring insert for silver brazing to outer conducting tubing.

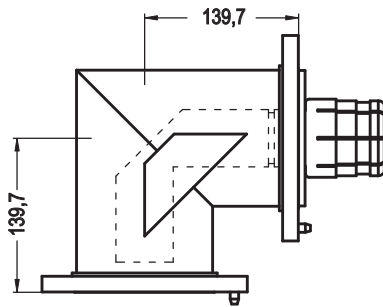
RL 618.08



* All dimensions shown are in millimeters.
* Drawings not to scale.



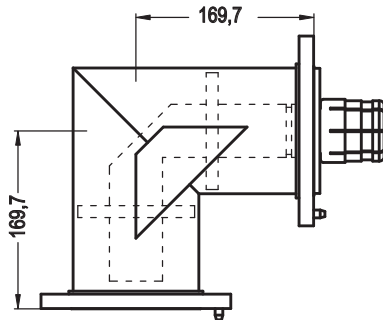
Line size 6 1/8"



Miter elbow 90°, swivel EIA flanges on both ends, reinforced outside, brass and copper construction. Includes unsupported inner conductor, one anchor insulator conductor connector, silicone O-ring and stainless steel hardware set.

RL 618.1

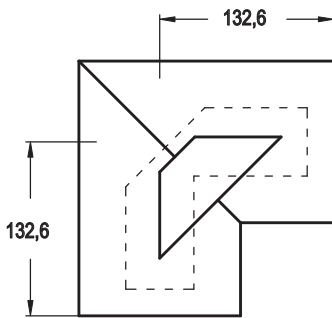
Line size 6 1/8"



Miter elbow 90°, swivel EIA flanges on both ends, reinforced outside, brass and copper construction. Includes supported inner conductor, anchor insulator conductor connector, silicone O-ring and stainless steel hardware set.

RL 618.14

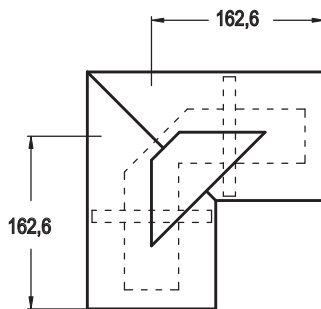
Line size 6 1/8"



Miter elbow 90°-unflanged, reinforced outside, copper construction. Includes only one unsupported inner conductor.

RL 618.22

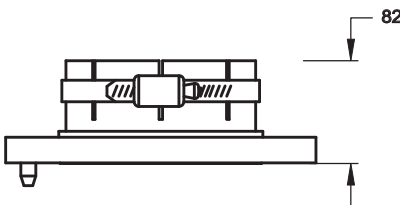
Line size 6 1/8"



Miter elbow 90°-unflanged, long legs, reinforced outside, copper construction. Includes only one supported inner conductor.

RL 618.25

Line size 6 1/8"



Unpressurized EIA field flange for indoor use. Includes one stainless steel hose clamp and hardware set.

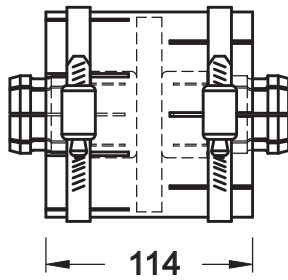
RL 618.30



* All dimensions shown are in millimeters.
* Drawings not to scale.



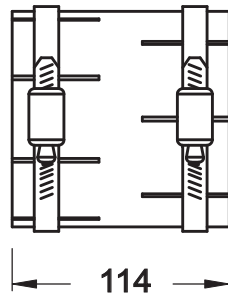
Line size 6 1/8"



Line coupling for connection of unflanged lines. Includes supported inner conductor connector and two stainless steel hose clamps.

RL 618.32

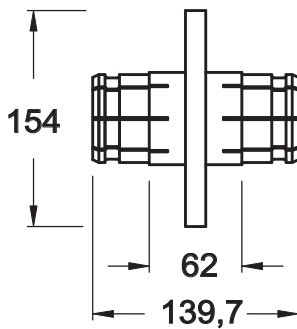
Line size 6 1/8"



Line coupling for connection of unflanged lines. No inner conductor connector. Includes two stainless steel hose clamps (does not increase outer conductor length).

RL 618.33

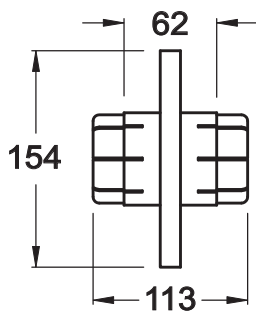
Line size 6 1/8"



Anchor insulator conductor connector, for EIA flange connection, silver plated. *Standard length.*

RL 618.35

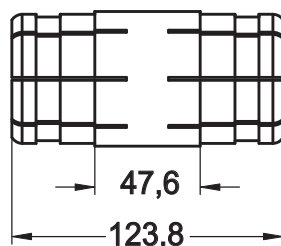
Line size 6 1/8"



Anchor insulator conductor connector, for EIA flange connection, silver plated. *Short version.*

RL 618.36

Line size 6 1/8"



Unsupported inner conductor connector.

RL 618.40

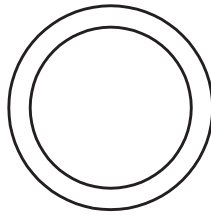
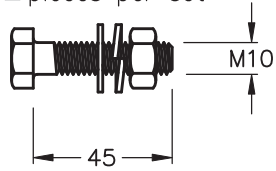


* All dimensions shown are in millimeters.
* Drawings not to scale.



Line size 6 1/8"

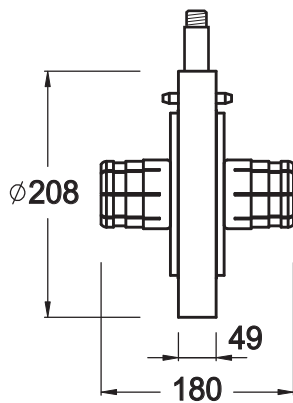
12 pieces per set



Stainless steel hardware set with silicone rubber O-ring.

RL 618.45

Line size 6 1/8"



Gas barrier with silicone O-ring and stainless steel hardware set.

RL 618.50



* All dimensions shown are in millimeters.
* Drawings not to scale.