



Voice Path TELEPHONE HANDSET TAP

FEATURES

- Works with analog and digital telephones
- Single or Multi-line phones
- Audio input and output on attached cables with mini plugs
- Recording output = caller and local voice combined
- No batteries or AC needed

Voice Path routes the audio from any telephone into your PC sound card. Simply connect between the handset and base of your telephone. The attached cables connect directly to the in and out jacks of your sound card. Use your PC software to record, edit, and then play your conversation right back into the phone line.

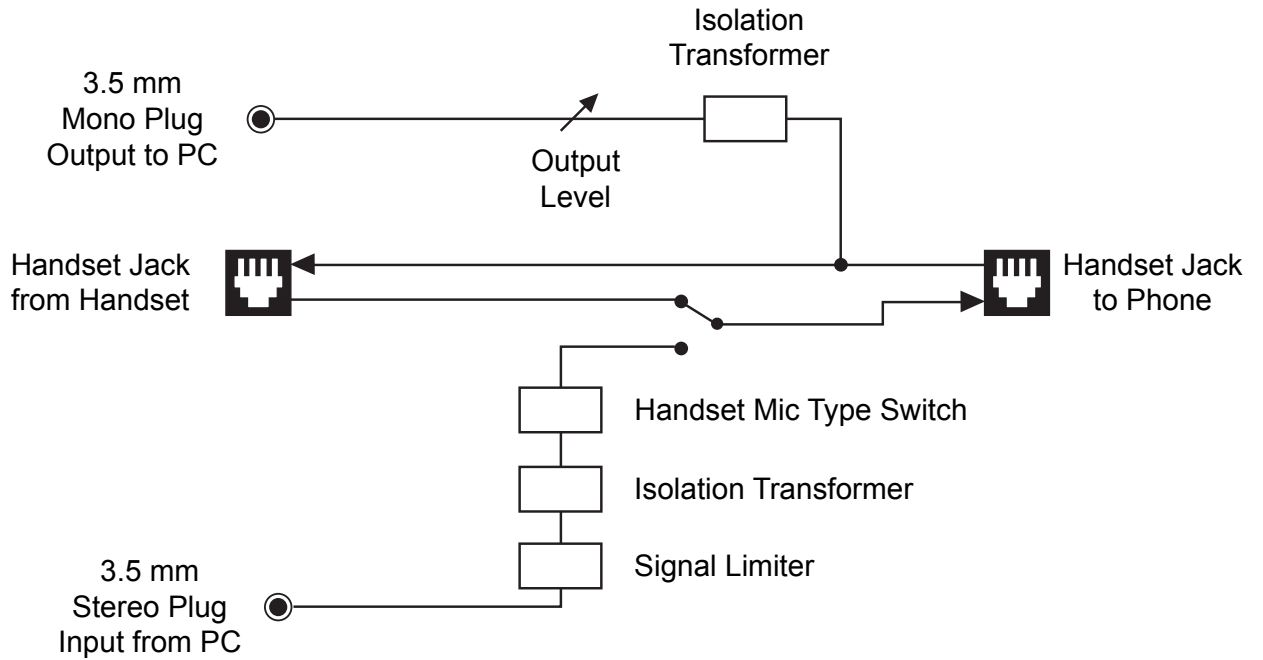
Endless possibilities such as: News rooms, Weather and Traffic reports, Ad Creation and Proofing, Transcribing, Voice Mail Prompts, Production Room...

Once installed, Voice Path continuously routes both sides of your conversation to the mic input of your PC (or Mac) sound card. Simply press in the gray button when you are ready to play audio recordings back into the phone line. With the button in, Voice Path will disconnect the microphone from your handset and send audio down the phone line and into your receiver. You will hear the transmit audio as well as the voice from the other end of the call.

When sending audio into a telephone, Voice Path must emulate the microphone that is in the handset. A switch on the back of Voice Path allows you select between the three basic types of handset microphone: electret, dynamic, and carbon. Signal level to the PC sound card is also adjustable.

Voice Path will not work with telephones that have a keypad in the handset.

Voice Path TELEPHONE HANDSET TAP



Specifications

	Input	Output
	3.5 mm Stereo	3.5 mm Mono
Impedance:	10 k ohms	2.8k ohms
Level (Line):	250 mV RMS (-10 dBu) nom	100 mV RMS (-18 dBu) nom
Length	48"	48"

Handset Interface:	Biased for electret, dynamic, and carbon handsets
Size:	3" x 1" x 2" (7.6 x 2.5 x 5.1 cm)
Weight:	9 ounces (260 grams)

