



## innkeeper 2

### MULTI LINE DIGITAL HYBRID



#### FEATURES

- Excellent separation of send and receive audio
- 16 bit DSP technology
- Proprietary auto null algorithm, 50 dB null
- Memory / Speed Dial from phone list
- 12 key telephone style keypad with alpha-numeric legend
- 2 line 20 character backlit LCD display
- Four cursor buttons and one Enter button for menu functions
- Auto answer / disconnect capable
- Conference feature
- Call and Drop buttons
- Bi-color Send and Receive LEDs
- XLR line input, one per line
- XLR caller output, one per line
- XLR master input sends audio to selected lines
- Monitor handset jacks

The JK Audio Innkeeper 2 is a unique two line rack mount digital hybrid. Innkeeper 2 contains two independent digital hybrids in a 1U rack space. The front panel keypad, display, and handset jacks provide easy speed dialing and call setup. Innkeeper 2 allows you to send signals into the phone line while maintaining excellent separation between your voice and the caller. The balanced XLR output jacks contain only the caller's voice. The 16 bit Digital Signal Processor (DSP) continuously monitors both the phone line and audio signals to deliver excellent separation. This proprietary, dual-convergence echo canceller algorithm can achieve excellent separation, typically exceeding 50 dB, without any setup and without sending a noise burst down the line.

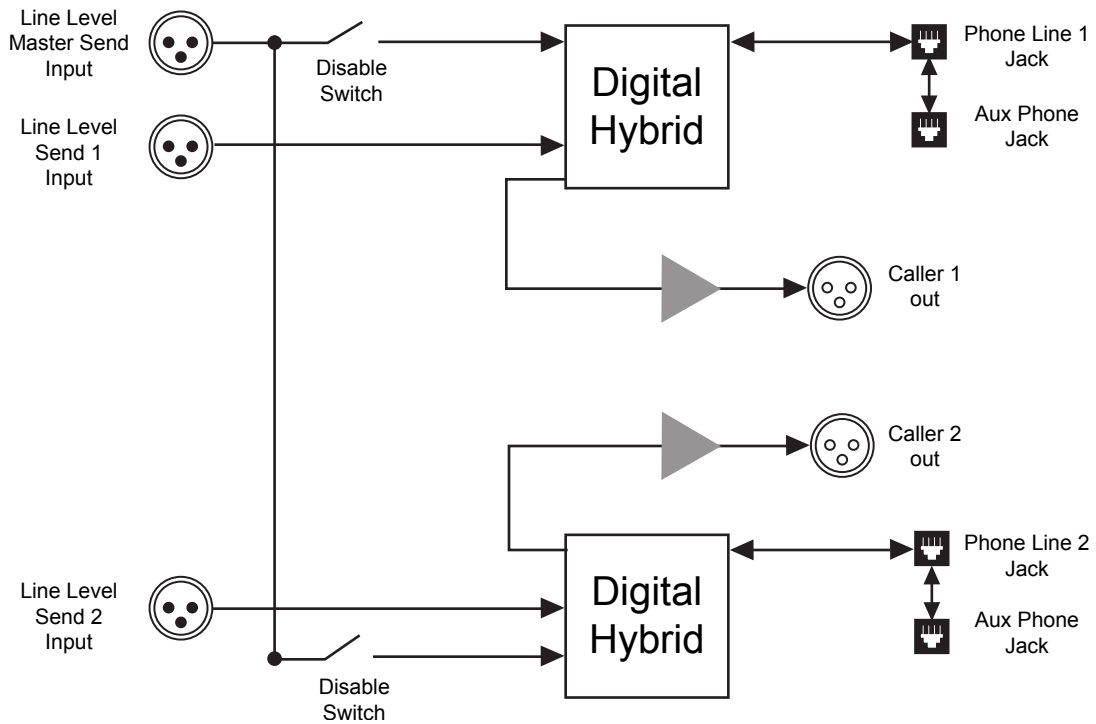
Innkeeper 2 features Auto-Answer/Auto Disconnect for use in IFB and monitoring applications. Call Conferencing is activated by the front panel Conference button or the Remote Interface Unit. The Conference button joins both calls in a 2-way conference when both lines are off hook. Additional options in the configuration menu allow you to tailor the conference feature to your application. These options determine if audio signals on the Send and Caller XLR jacks are mixed or kept separate during a conference.

The menu driven keypad and back lit display allow you to store 50 phone numbers by name in a phone list. You can also use the display to set features such as the number of rings before auto answer, master send channel selection, and test tone output. An auxiliary telephone jack is provided for each line. The auxiliary telephone is disconnected when you press the "Call" button, and reconnected when you press the "Drop" button. Other applications include: telephone interviews, talk shows, church PA interface, and conference room full duplex applications.

## innkeeper 2 MULTI LINE DIGITAL HYBRID



REAR VIEW



### Specifications

	Input		Output	
	Balanced Female XLR	Balanced Male XLR (caller)	Phone Line:	Aux Phone:
Impedance:	20k ohms	200 ohms	RJ11C	RJ11C
Level (Line):	500 mV RMS (-4 dBu) nom. +12 dBu max	500 mV RMS (-4 dBu) nom. +12 dBu max	Isolation:	1500 VAC
Weight:	7.2 lbs (3.2 kg)		Ringer:	0.8B REN
Size:	19" x 7.3" x 1.75" (4.5 x 18.6 x 48.3 cm)		Frequency Response:	Telephone side: 200 Hz 3600 Hz
			Handset:	Front panel handset jacks biased for electret (not included)
			Power:	120-240 VAC 50-60 Hz power supply (internal)