

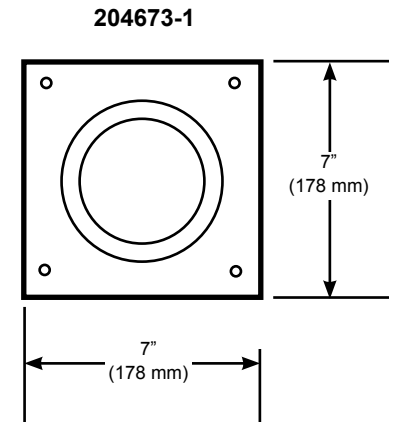
Installation Instructions

Wall/Roof Feed-through Plates for Waveguides and Coaxial Cable

Andrew Institute offers installation training.

4" (102 mm) Ports					
Part #	Style	Wall Opening Size, in (mm)		Overall Size, in. (mm)	
		Width	Height	Width	Height
204673-1	1X1	4" (102 mm)	4" (102 mm)	7" (178 mm)	7" (178 mm)
204673-2	1X1	4" (102 mm)	4" (102 mm)	5.5" (140 mm)	5.5" (140 mm)
204673-2A	1X2	10" (254 mm)	4" (102 mm)	15.5" (394 mm)	9.5" (241 mm)
204673-3	1X3	15" (381 mm)	4" (102 mm)	20" (508 mm)	9.5" (241 mm)
204673-4	1X4	20.5" (521 mm)	4" (102 mm)	25.5" (648 mm)	9.5" (241 mm)
204673-6	2X3	15" (381 mm)	9.5" (241 mm)	23" (584 mm)	17.5" (445 mm)
204673-8	2X4	20.5" (521 mm)	9.5" (241 mm)	25.5" (648 mm)	17.5" (445 mm)
204673-9	3X3	15" (381 mm)	15" (381 mm)	23" (584 mm)	23" (584 mm)
204673-10	2X5	26" (660 mm)	9.5" (241 mm)	31" (787 mm)	17.5" (445 mm)
204673-12	3X4	20.5" (521 mm)	15" (381 mm)	25.5" (648 mm)	25.5" (648 mm)
204673-12A	2X6	31.5" (521 mm)	9.5" (241 mm)	39.5" (1003 mm)	17.5" (445 mm)
204673-16	4X4	20.5" (521 mm)	20.5" (521 mm)	25.5" (648 mm)	25.5" (648 mm)
204673-18	3X6	31.5" (521 mm)	15" (381 mm)	39.5" (1003 mm)	25.5" (648 mm)
204673-20	4X5	26" (660 mm)	20.5" (521 mm)	31" (787 mm)	28.5" (724 mm)
204673-24	4X6	31.5" (521 mm)	20.5" (521 mm)	39.5" (1003 mm)	31" (787 mm)

5" (127 mm) Ports					
Part #	Style	Wall Opening Size, in (mm)		Overall Size, in. (mm)	
		Width	Height	Width	Height
48940-1	1X1	5" (127 mm)	5" (127 mm)	9.5" (241 mm)	9.5" (241 mm)
48940-2	1X2	12" (305 mm)	5" (127 mm)	17.5" (445 mm)	9.5" (241 mm)
48940-3	1X3	19" (483 mm)	5" (127 mm)	25.5" (648 mm)	9.5" (241 mm)
48940-4	2X2	12" (305 mm)	12" (305 mm)	17.5" (445 mm)	17.5" (445 mm)
48940-6	2X3	19" (483 mm)	12" (305 mm)	25.5" (648 mm)	17.5" (445 mm)
48940-8	2X4	26" (660 mm)	12" (305 mm)	33.5" (851 mm)	17.5" (445 mm)
48940-9	2X3	19" (483 mm)	19" (483 mm)	25.5" (648 mm)	25.5" (648 mm)



Plastic screw anchor for masonry, metal, or plastic wall: requires 5/16"x1-3/8" (8x35 mm) hole

La fijación de tornillos de plástico para paredes de ladrillos, metálicas o plásticas: requiere un orificio de 5/16"x1-3/8" (8x35 mm)

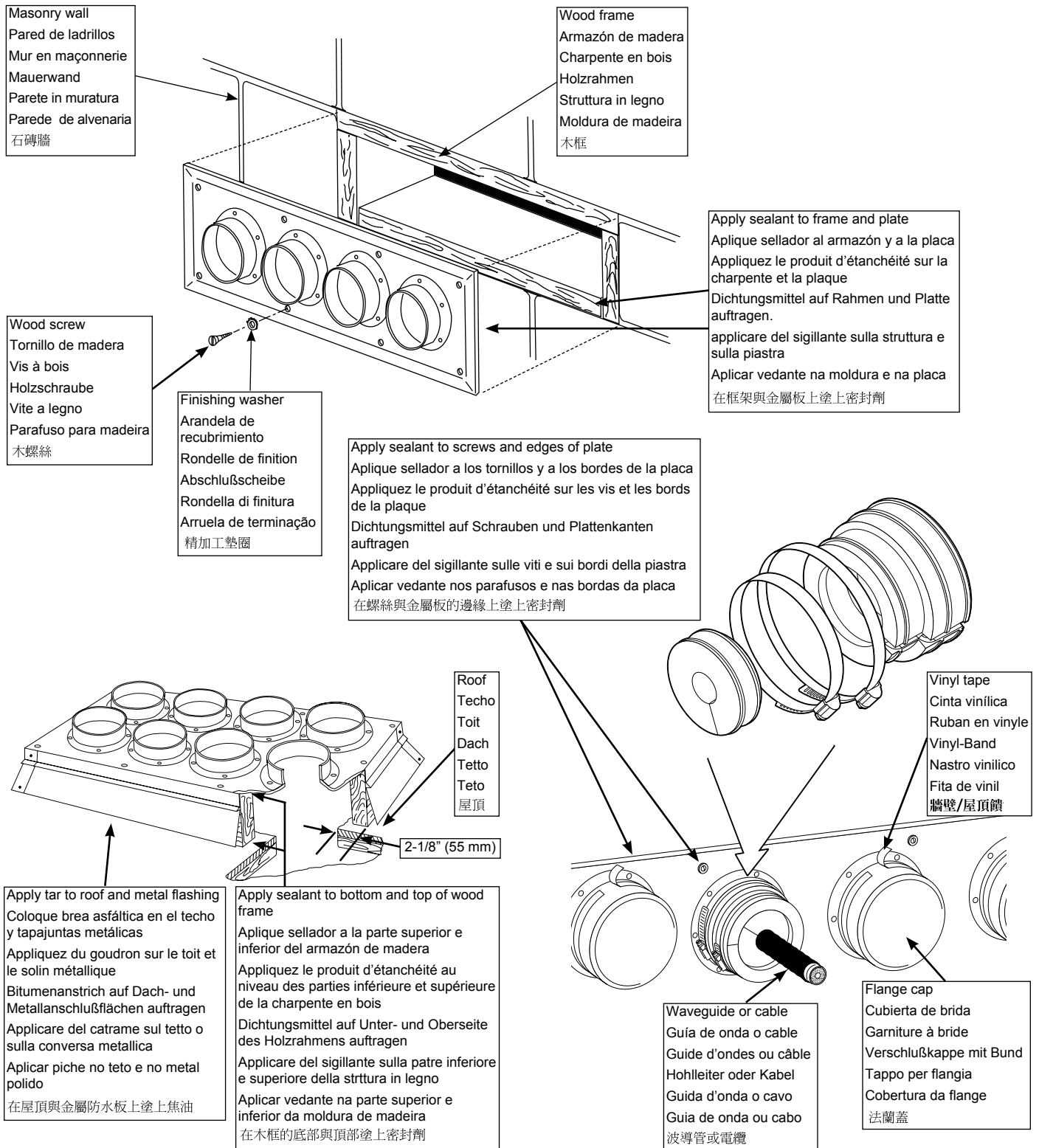
Cheville d'ancrage en plastique pour murs en maçonnerie, métal ou plastique: orifice de 5/16"x1-3/8" (8x35 mm) nécessaire

Kunststoffschraubenanker für Mauer-, Metall- oder Kunststoffwände: Bohrloch 8x35 erforderlich

Le viti di ancoraggio in plastica per pareti in muratura, metallo o plastica richiedono fori da 5/16"x1-3/8" (8x35 mm)

Parafuso plástico de ancoragem para paredes de alvenaria, plástico ou metal: requer um furo de 5/16"x1-3/8" (8x35 mm)

用於石磚、金屬或塑膠牆的塑膠螺形地錨：要求孔的大小為 5/16 英寸 x 1-3/8 英寸 (8 x 35 公釐)



Andrew Wireless Solutions www.commscope.com

Customer Service 24 hours
U.S.A., Canada, Mexico:
1-800-255-1479 HELIAX products
1-888-235-5732 Extremerflex products
U.K.: 0800 250055
Other Europe: +44 592 782 612

Visit our Web site at www.commscope.com or contact your local Andrew Wireless Solutions representative for more information.

© 2008 CommScope, Inc. All rights reserved.
Andrew Wireless Solutions is a trademark of CommScope. All trademarks identified by ® or ™ are registered trademarks or trademarks, respectively, of CommScope. This document is for planning purposes only and is not intended to modify or supplement any specifications or warranties relating to Andrew Wireless Solutions products or services.

Notice: Andrew disclaims any liability or responsibility for the results of improper or unsafe installation, inspection, maintenance, or removal practices.
Aviso: Andrews no acepta ninguna obligación ni responsabilidad como resultado de prácticas incorrectas o peligrosas de instalación, inspección, mantenimiento o retiro.
Avis: Andrew décline toute responsabilité pour les conséquences de procédures d'installation, d'inspection, d'entretien ou de retrait incorrectes ou dangereuses.
Hinweis: Andrew lehnt jede Haftung oder Verantwortung für Schäden ab, die aufgrund unsachgemäßer Installation, Überprüfung, Wartung oder Demontage auftreten.
Atenção: A Andrew abdica do direito de toda responsabilidade pelos resultados de práticas inadequadas e sem segurança de instalação, inspeção, manutenção ou remoção.
Avvertenza: Andrew declina eventuali responsabilità derivanti dall'esecuzione di procedure di installazione, ispezione, manutenzione e smontaggio improprie o poco sicure.
注意: Andrew 公司申明對於不恰當或不安全的安裝、檢驗、維修或拆卸操作所導致的後果不負任何義務和責任