

ArrestorPort II™ Integrated Wall Entry/Ground Systems



Description

The ArrestorPort II is a surge arrester grounding system. The integrated grounding bars have provisions for grounding leads with two-hole lugs on each side of the bulkhead grounding plate.

The mounting hardware supplied includes no. 14 wood screws, finishing washers, and screw anchors. The application of weather-resistant sealant around the plate and the clamping of the waveguide or cable by rubber boot assemblies will prevent the entry of moisture into the building.

Read these instructions completely before you begin installing the ArrestorPort II

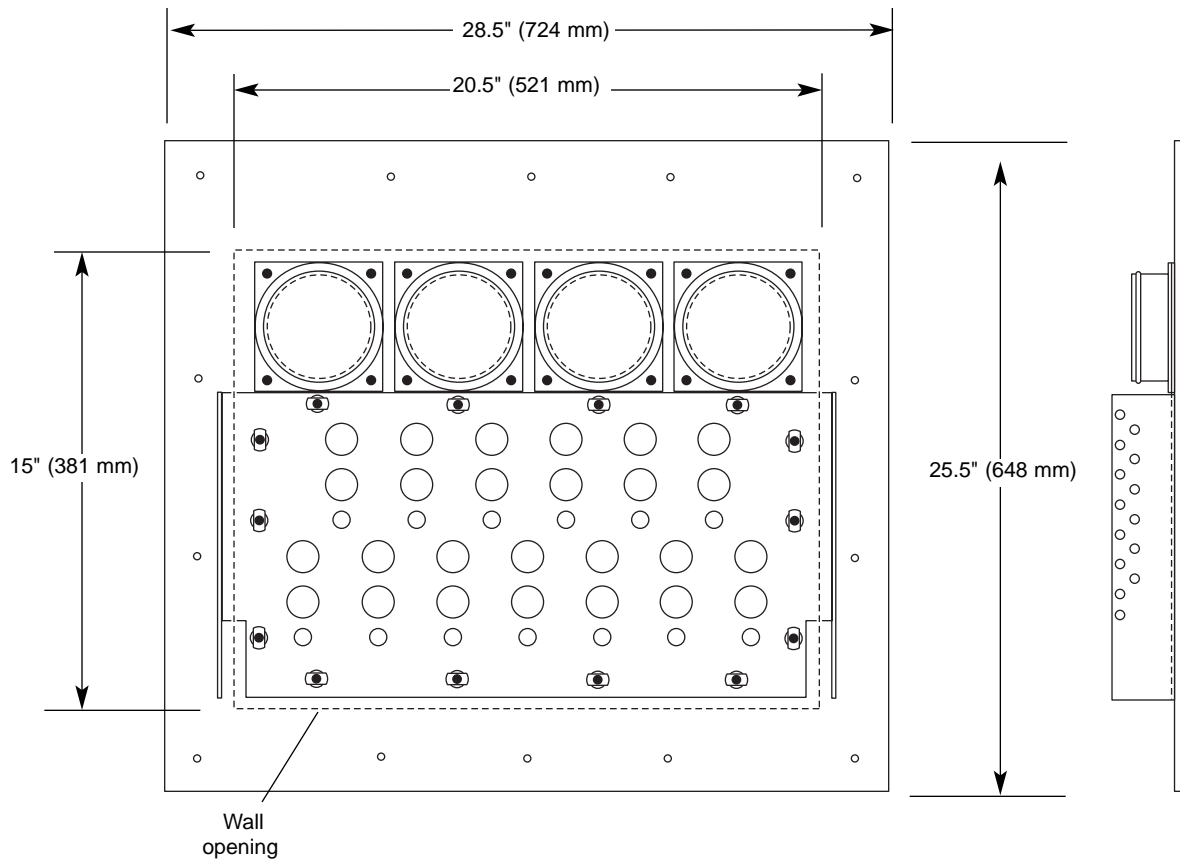
Recommended Tools and Materials

Masonry chisel	Cross-cut saw
Hammer	Exterior sealant
Nails	Weather-resistant vinyl tape
Screwdriver	Pressure-treated, 2"x6" lumber
Electric drill	Flashing
Drill bit, 5/16" (8 mm)	Sabre saw

Notice

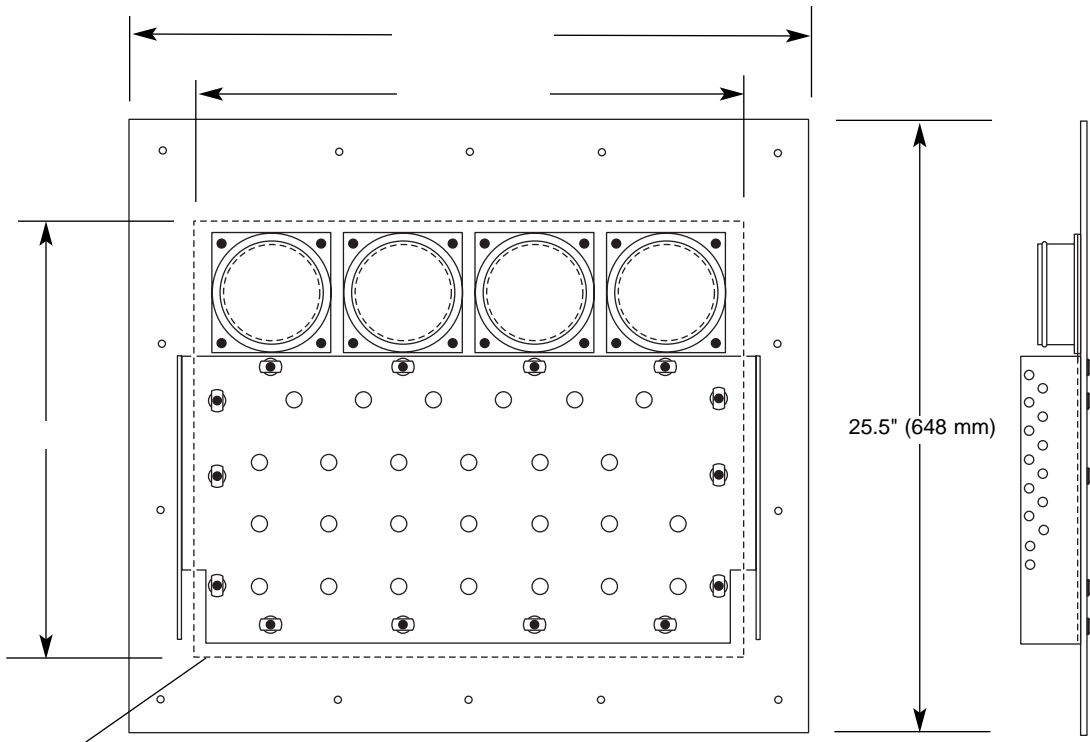
The installation, maintenance, or removal of antenna systems requires qualified, experienced personnel. Andrew installation instructions have been written for such personnel. Antenna systems should be inspected once a year by qualified personnel to verify proper installation, maintenance, and condition of equipment.

Andrew disclaims any liability or responsibility for the results of improper or unsafe installation practices.



APORT-13-4

has 13 openings for Type DIN or N bulkhead mount surge arrestors and 4" openings for standard waveguide boots



APOINT-26N-4

has 26 openings for Type N bulkhead mount surge arrestors and 4" openings for standard waveguide boots

Wall Installation

Masonry. Remove enough block or brick and mortar to provide an opening 5/8" (16 mm) smaller on all sides than the overall dimension of the plate. Build a wooden frame and force it into the opening. Use pressure-treated 2"x6" lumber so that there is approximately 1-1/2" (38 mm) minimum of surface for attachment of the plate screws. Anchor the frame to the masonry.

Apply a good grade of exterior sealant (not supplied) along the mounting surfaces of the frame and the plate. Position the plate on the frame and fasten it with screws and finishing washers. Apply a bead of sealant along the sides and top of the plate and any exposed frame-masonry joints. Also cover the mounting screws with sealant.

Metal, Wood, or Plastic. Position the plate on the wall using a level and mark the wall with a pencil for all of the holes in the plate. Cut the large holes first and then drill the 5/16" (8 mm) mounting holes 1-3/8" (35 mm) deep. For plastic or metal walls, force screw anchors into the mounting holes. Attach the plate with the screws and finishing

washers provided. If other mounting hardware must be used, include the finishing washers provided.

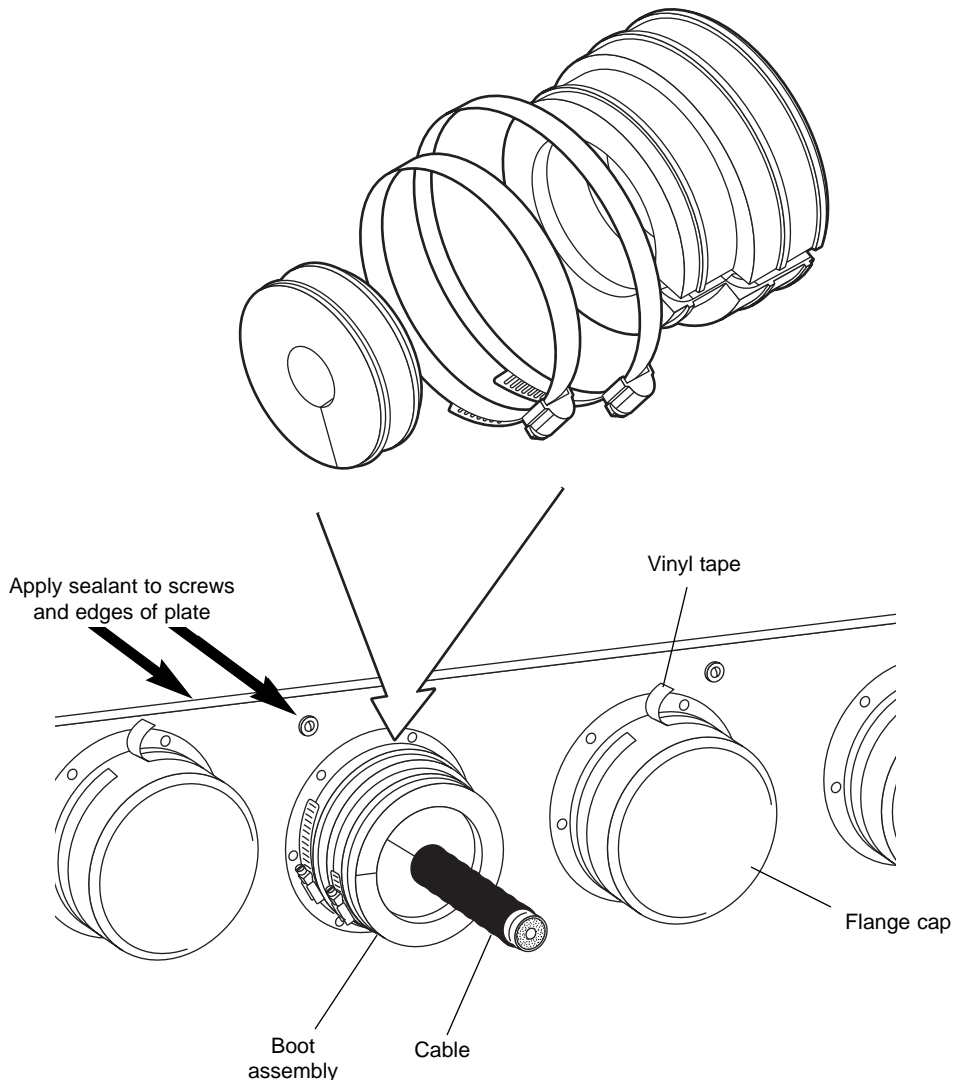
Apply sealant to the plate edges and mounting screws as described for masonry.

Waveguide or Cable and Boot Installation

Pass the waveguide or cable through the appropriate hole in the plate. Place the boot cushion on the waveguide or cable and the two halves for the boot jacket on the cushion. Slide the assembly onto the plate flange and add the two clamps to hold the assembly in place.

Make sure that the joined ends of the cushion and the jacket are aligned with each other and parallel to the long dimension of the plate. The assembly should appear as shown. Tighten first the flange clamp and then the cushion clamp.

Slide flange caps onto any unused plate flanges and secure them with weather-resistant vinyl tape (not supplied) as shown.



Surge Arrestor Bulkhead Installation

Determine which openings to use for your application. Use a plastic rod and hammer to remove the inserts at each opening location. The inserts can only be pushed out from the back toward the front of the panel. (The panel front is the side with the integrated grounding bars.)

Note: Be careful to remove only the inserts needed for your installation as they cannot be reinserted.

Follow the directions provided with the surge arrestors to complete the surge protector bulkhead installation.

