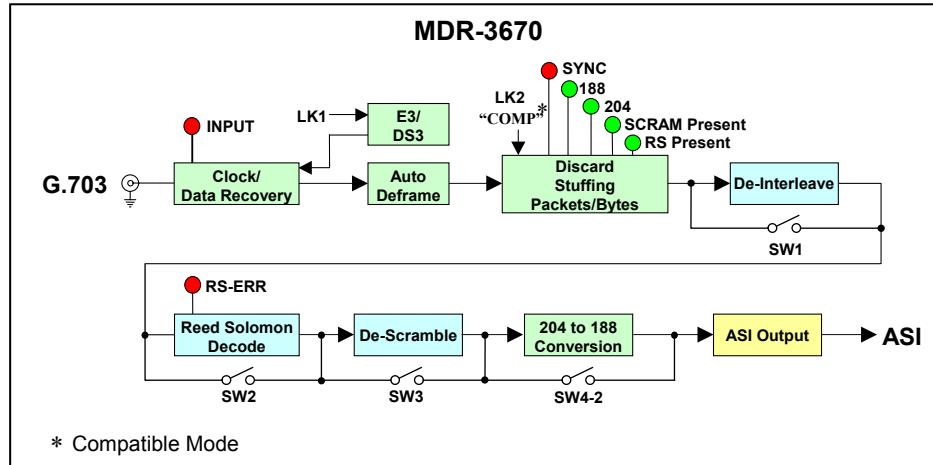


### Functional diagram:



### Features:

- Wide Range of G.703 to ASI conversions
- E3 or DS3 operation with automatic DS3 De-framing
- Reed Solomon correction
- De-interleaving
- De-scrambling
- Packet length indication

### General:

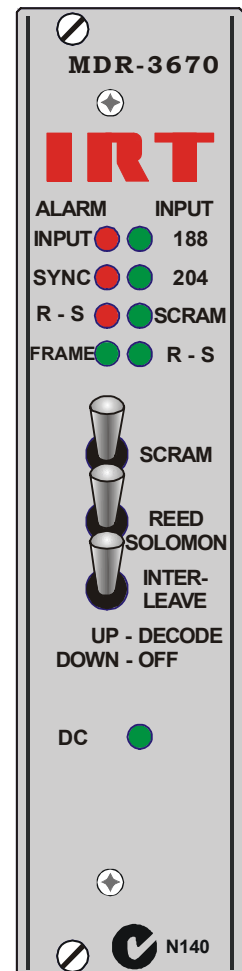
The MDR-3670 is part of a family of data transcoders for converting between the commonly used MPEG2 Transport Stream formats in the broadcast industry for video distribution.

The MDR-3670 operates with either an E3 (34.368 Mb/s) or DS3 (44.736 Mb/s) G.703 rates.

There are several industry modes of encoding that can be decoded by the MDR-3670. They are loosely classified as follows:

- Standard: IRT MDT-3570, DDC-3480
- Upstream: Similar to above
- Downstream: Packet stuffed
- Compatible: 9 bit decoding, IRT MFC-3485

This range covers most other manufacturer's equipment.



Front panel switches allow Reed Solomon correction and/or the removal of interleaving and scrambling (energy dispersal). On board switches allow 204 to 188 conversion, after decoding.

The MDR-3670 is fabricated in IRT's standard Eurocard format and may be housed in a variety of IRT's frames.

# MDR-3670 Technical Specifications

## Inputs:

Type 1 x G.703, 75Ω BNC connector.  
G.703 Rate E3 (34.368 Mb/s) or DS3 (44.736 Mb/s), link selectable.

## Outputs:

Type 1 x ASI-C 75Ω, 800 mVp-p, BNC connector.

## Alarms:

Major Relay NO/NC link selectable,  
(Relay energised when Input Sync is obtained).  
Minor Relay NO/NC link selectable,  
(Relay energised when there are no Reed Solomon Errors).

Power Requirements 28 Vac CT (14-0-14) or ± 16 Vdc.

Power consumption <5.5 VA.

## Other:

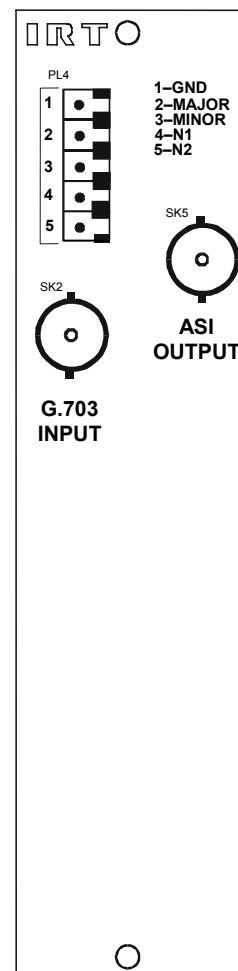
Temperature range 0 - 50° C ambient.

Mechanical Suitable for mounting in IRT 19" rack chassis with input, output and power connections on the rear panel.

Finish: Front panel Grey background, black lettering & red IRT logo.  
Rear assembly Detachable silk-screened PCB with direct mount connectors to Eurocard and external signals.

Dimensions 6 HP x 3 U x 220 mm IRT Eurocard

Supplied accessories Rear connector assembly including matching connector for alarm output.



Due to our policy of continuing development, these specifications are subject to change without notice.

## Detailed specifications available from:

**Manufacturer:**  
**IRT Electronics Pty Ltd**

26 Hotham Parade  
ARTARMON  
N.S.W. 2064 AUSTRALIA  
Phone: +61 2 9439 3744  
Fax: +61 2 9439 7439  
Email: sales@irtelectronics.com

**Local Agent:**

**IRT can be found on the Internet at:**  
**<http://www.irtelectronics.com>**